

零件手册

Parts Manual

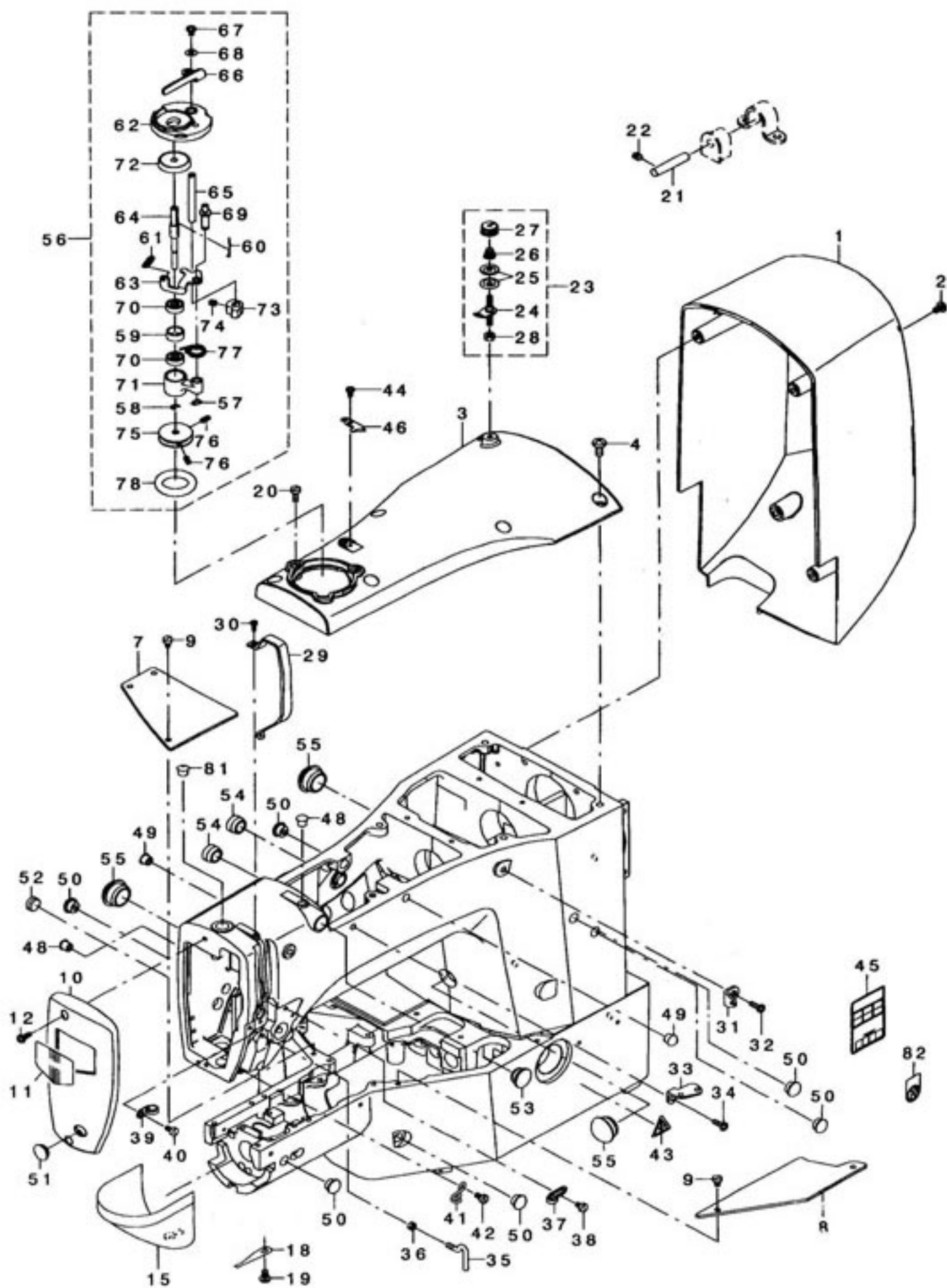
1900

高速电子套结机

High speed electronic knotting machine

1.FRAME & MISCELLANEOUS COVER COMPONENTS

机壳部件

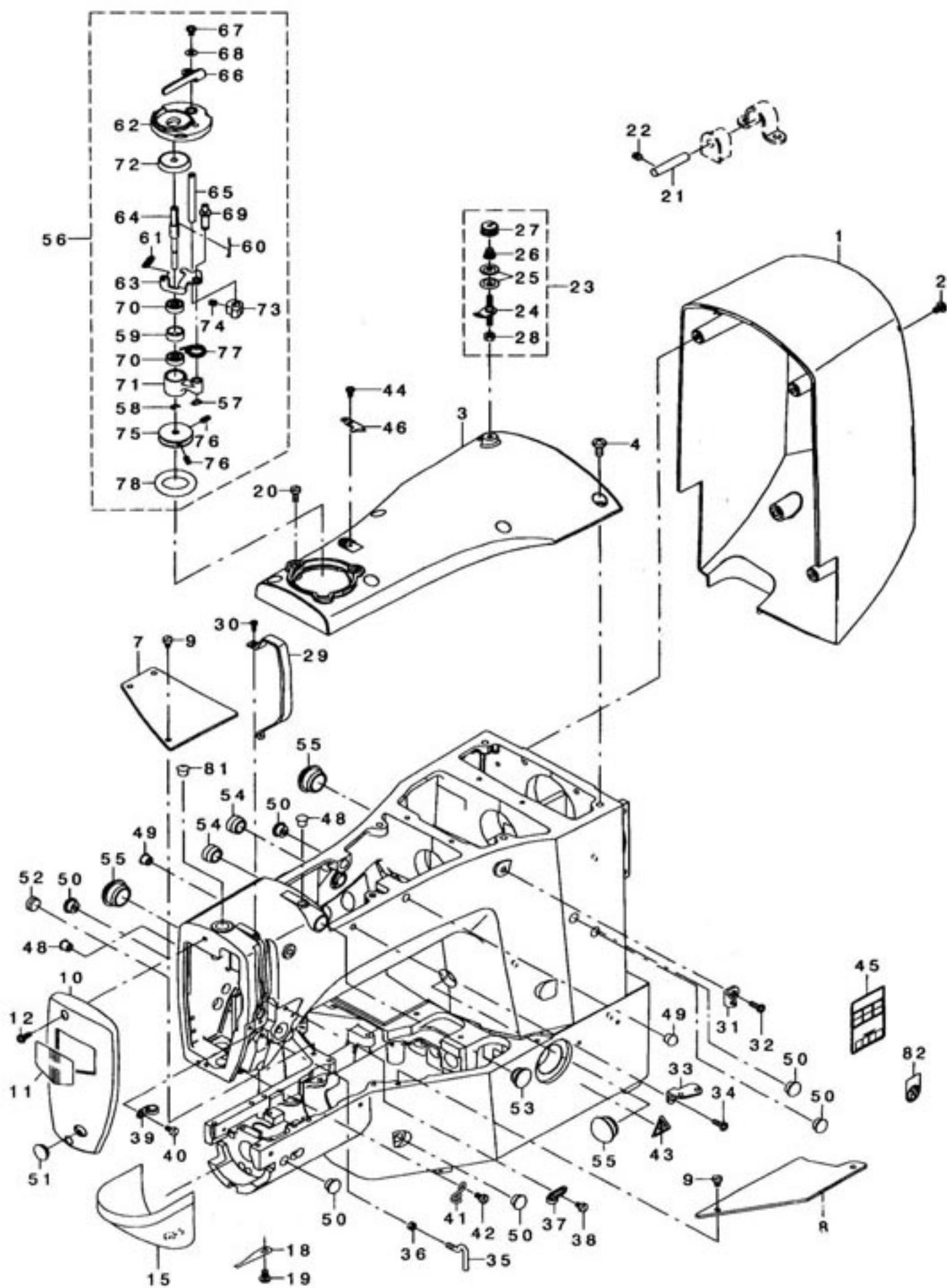


特种机系列>LS1900系列>1机壳部件

序号	品号CODE	名称	NAME	数量
1	PF1900A010101	一体机电机盖	MOTOR COVER	1
2	PF1900A0102	十字盘头螺钉 M4 L=8	SCREW M4 L=8	4
3	PF1900A0103	上盖板	UPSIDE COVER	1
4	PF1900A0104	十字盘头螺钉 M6 L=12	SCREW M6 L=12	5
7	PF1900A0107	左上盖	BED COVER LEFT	1
8	PF1900A0108	右上盖	BED COVER RIGHT	1
9	PF1900A0643	开槽圆柱头螺钉 M4	SCREW M4 L=6.2	5
10	PF1900A0110	面板	FACE COVER	1
11	BZ3095	面板标签	FACE PLATE	1
12	PF1900A0112	十字盘头螺钉 M4 L=10	SCREW M4 L=10	2
15	PF1900040301	罩壳	CYLINDER ARM CAP	1
18	PF19000406	压簧B	HOOK COVER PRESSER SPRING B	2
19	PF1900A0102	十字盘头螺钉 M4 L=8	SCREW M4 L=8	1
20	PF1900A0120	开槽圆柱头螺钉 M4 L=11	SCREW M4 L=11	3
21	PF1900A0121	铰链销	HINGE STUD	2
22	PF1900A0744	螺钉 M6 L=6	SCREW M6 L=6	4
23	PF19000130	小夹线器组件	BOBBIN THREAD TENSION ASM	1
24	PF1900A0124	夹线杆组件	BOBBIN THREAD TENSION ROD ASM	(1)
25	PF1900A0125	夹线板	THREAD TENSION DISK	(2)
26	PF1900A0126	夹线弹簧	CONNECTING ROD SPRING	(1)
27	PF1900A0127	夹线螺母	THREAD TENSION NUT	(1)
28	PF1900A0128	螺母 11/64-40	NUT 11/64-40	(1)
29	PF1900A0129	挑线杆防护罩	BALANCE COVER	1
30	PF1900A0130	十字螺钉 M3 L=7.5	SCREW M3 L=7.5	2
31	PF1900A0131	1号过线板	THREAD GUIDE NO.1	1
32	PF1900A0104	螺钉码M6 L=12	SCREW M6 L=12	1
33	PF1900A0133	双眼过线板	THREAD GUIDE PLATE	1
34	PF1900A0104	螺钉 M6 L=12	SCREW M6 L=12	1
35	PF1900A0135	L形过线勾 A	L SHAPED THREAD GUIDE A	1
36	PF1900A0136	螺母 M4	NUT M4	1
37	PF1900A0137	过线勾A	ARM THREAD GUIDE A	1
38	PF1900A0109	螺钉 M4 L=6	SCREW M4 L=6	1
39	PF1900A0139	过线勾 (B)	FRAME THREAD GUIDE (B)	1
40	PF1900A0109	螺钉 M4 L=8	SCREW M4 L=8	1
41	PF19000126	机壳过线勾 (B)	FRAME THREAD GUIDE (B)	1
42	PF1900A0109	螺钉 M4 L=8	SCREW M4 L=8	1
43	PF1900A0143	警告标签 (25)	CAUTION LABEL (25)	1
44	PF1900A0144	十字盘头螺钉M3 L=6	SCREW M3×6	1
45	PF1900A014501	油标贴纸	OIL LABEL	1
46	PF90000132	切线刀	THREAD CUTTER	1
48	PF1900A0148	橡皮塞	RUBBER PLUG	2
49	PF5550113	橡皮塞	RUBBER PLUG	2
50	PF1900A0150	橡皮塞	RUBBER PLUG	6
51	PF1900A0151	橡皮塞 D=12.5 L=4	RUBBER PLUG D=12.5 L=4	1
52	PF1900A0152	橡皮塞	RUBBER PLUG	1
53	PF1900A0153	橡皮塞	RUBBER PLUG	1
54	PF1900A0154	橡皮塞	PLUG	2

1.FRAME & MISCELLANEOUS COVER COMPONENTS

机壳部件

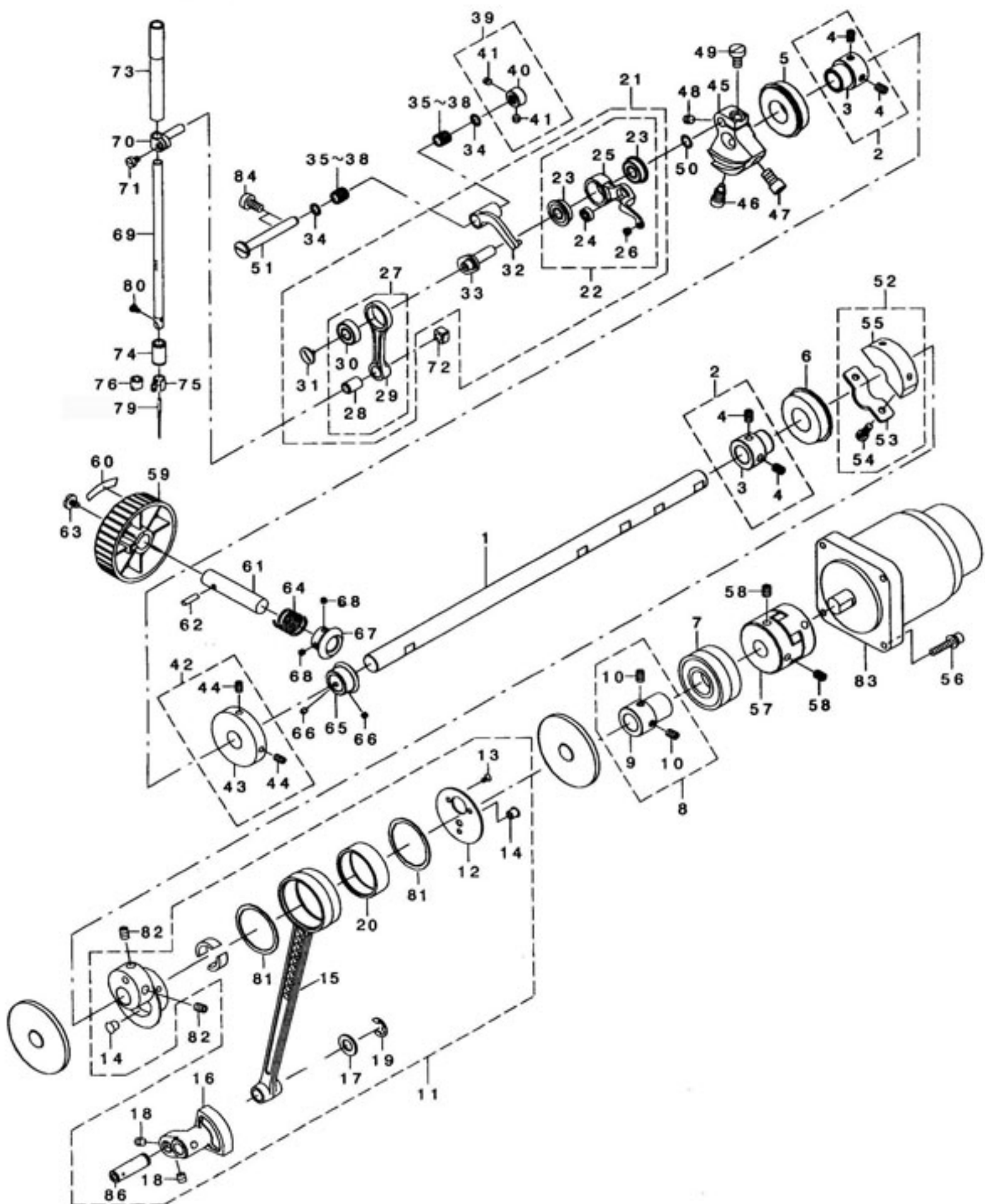


特种机系列>LS1900系列>1机壳部件

序号	品号CODE	名称	NAME	数量
55	PF1900A0155	橡皮塞	RUBBER PLUG	3
56	PF1900A0156	绕线器组件	BOBBIN WINDER UNIT	1
57	PF1900A0157	卡簧	RETAINING RING	(1)
58	PF1900A0158	卡簧 4	E-RING 4	(1)
59	PF1900A0159	衬套	BTW BEARING SPACER	(1)
60	PF1900A0160	线轴弹簧	BOBBIN SPRING	(1)
61	PF1900A0161	弹簧	BTW BEARING	(1)
62	PF1900A0162	绕线器座	BTW BASE	(1)
63	PF1900A0163	绕线器凸轮板	BTW CAM PLATE	(1)
64	PF1900A0164	绕线器轴	BTW SHAFT	(1)
65	PF1900A0165	绕线器杆轴	BTW LEVER SHAFT	(1)
66	PF1900A0166	绕线器杆	BTW LEVER	(1)
67	PF1900A0167	螺钉	SCREW	(1)
68	PF1900A0168	垫片 4.5×10×0.8	WASHER 4.5×10×0.8	(1)
69	PF1900A0169	绕线器轴	BTW BASE SHAFT	(1)
70	PF1900A0170	轴承	BTW BEARING	(2)
71	PF1900A0171	绕线器轴座	BTW SHAFT BASE	(1)
72	PF1900A0172	绕线	BTW SPACER	(1)
73	PF1900A0173	凸轮杆	BTW CAM LEVER	(1)
74	PF1900A0174	螺钉 M5 L=5	SCREW M5 L=5	(1)
75	PF1900A0175	衬垫	BTW WHEEL	(1)
76	PF1900A0176	螺钉 M4×8	SCREW M4×8	(2)
77	PF1900A0177	弹簧	BTW TORSION SPRING	(1)
78	PF1900A0178	橡皮圈	BTW WHEEL RUBBER	(1)
81	PF555037	橡皮塞	NEEDLE BAR UPPER BUSH CAP	1
82	BZ3189	禁止加油标记	OIL INJECTION PROHIBITION LABE	1

2.MAIN SHAFT & NEEDLE BAR COMPONENTS

上轴、针杆部件

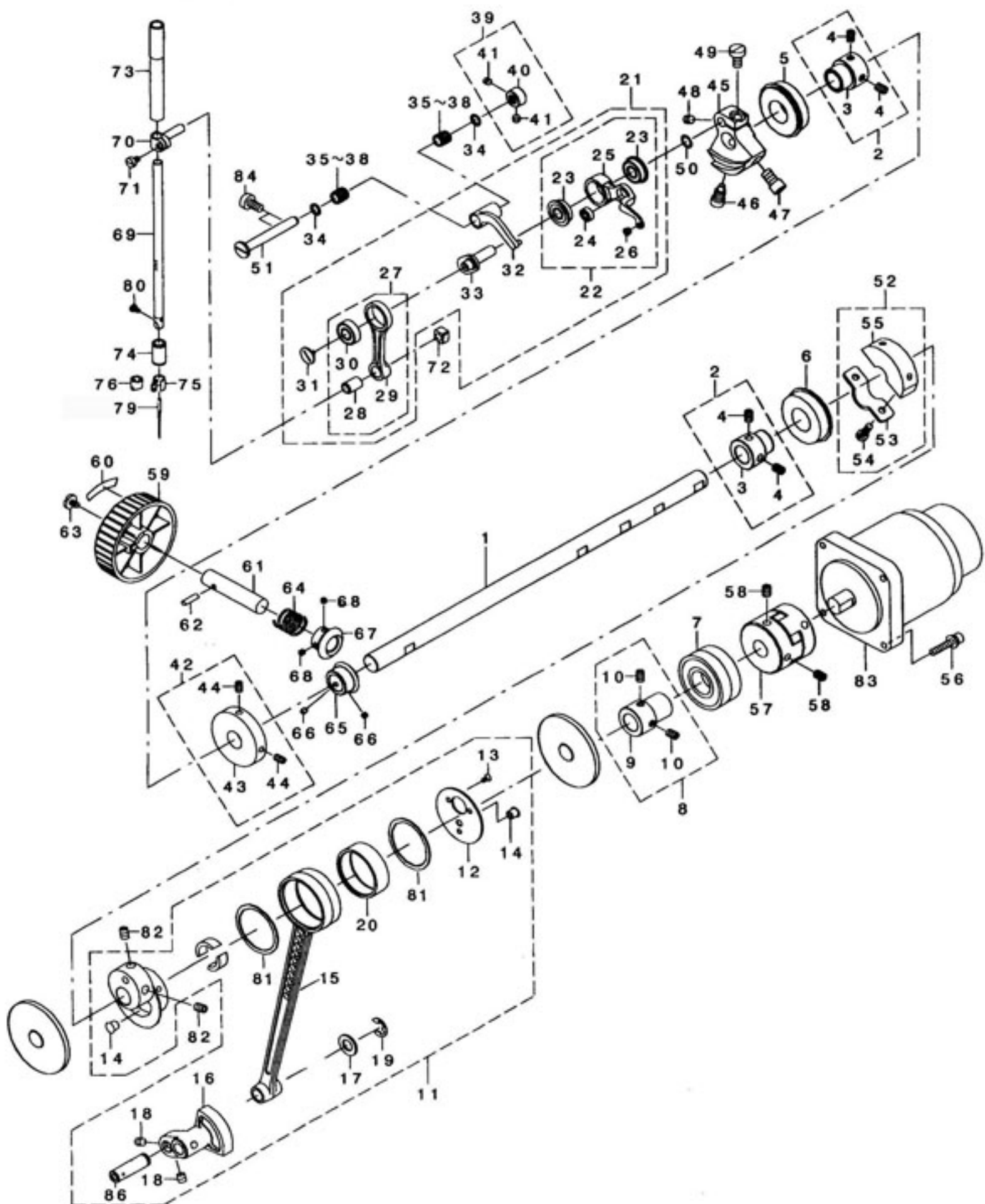


特种机系列>LS1900系列>2上轴、针杆部件

序号	品号CODE	名称	NAME	数量
1	PF1900A020101	主轴	MAIN SHAFT	1
2	PF1900A0202	轴承衬套A组件	BEARING BUSH A ASM	2
3	PF1900A0203	轴承衬套A	BEARING BUSH A	(2)
4	PF1900A0204	内六角凹端紧定螺钉 M6	SCREW M6 L=8	(4)
5	PF1900A0205	轴承	BEARING	1
6	PF1900A0206	轴承	BEARING	1
7	PF1900A0207	轴承	BEARING	1
8	PF1900A0208	轴承衬套B组件	BEARING BUSH B ASM	1
9	PF1900A020301	轴承衬套B	BEARING BUSH B	(1)
10	PF1900A0204	螺钉 M6 L=8	SCREW M6 L=8	(2)
11	PF1900A2910	连杆组件	CRANK ROD ALL ASM	1
12	PF1900A0212	连杆盖板	CRANK ROD SUPPORT PLATE	(1)
13	PF1900A0213	螺钉 M3 L=6	SCREW M3 L=6	(3)
14	PF1900A0214	销 D=6.7 L=6	PLUG D=6.7 L=6	(2)
15	PF1900A0215	连杆	CRANK ROD	(1)
16	PF1900A0216	摆齿	OSCILLATOR	(1)
17	PF1900A0217	垫圈	WASHER	(1)
18	PF1900A0218	内六角凹端紧定螺钉	SCREW	(2)
19	SCJ1013	卡簧 (8MM)	E-SHAPED SNAP RING(8MM)	1
20	PF1900A0220	滚针轴承	NEEDLE BEARING	(1)
21	PF1900A0221	挑线杆组件	THREAD TAKE UP COMPL	1
22	PF1900A0222	挑线杆组件	THREAD TAKE UP LEVER ASM	(1)
23	PF1900A0223	轴承	BEARING	(2)
24	PF1900A0224	轴承	BEARING	(1)
25	PF1900A0225	挑线杆	THREAD	(1)
26	PF1900A0226	过线环	THREAD PASS BUSH	(1)
27	PF1900A0227	针杆连杆组件	NEEDLE BAR CRANX ROD ASM	(1)
28	PF1900A0228	针杆连杆套	NEEDLE BAR CRANX ROD METAL	(1)
29	PF1900A0229	针杆连杆	NEEDLE BAR CRANK ROD	(1)
30	PF1900A0230	轴承	BEARING	(1)
31	PF1900A0231	左旋螺钉	LEFT SCREW	(1)
32	PF1900A0232	挑线连杆	THREAD TAKE UP CRANK	(1)
33	PF1900A0233	挑线曲柄	NEEDLE ROD CRANK	(1)
34	PF1900A0234	垫圈	BEARING SUPPORT	2
35	PF1900A0235	轴承	BEARING	2
36	PF1900A0236	轴承	BEARING	2
37	PF1900A0237	轴承	BEARING	2
38	PF1900A0238	轴承	BEARING	2
39	PF1900A0239	挡圈组件	THRUST COLLAR ASM	1
40	PF1900A0240	挡圈	THRUST COLLRA	(1)
41	PF1900A0241	螺钉	THRUST COLLAR SCREW	(2)
42	PF1900A0242	绕线轮组件	BTW DRIVING WHEEL ASM	1
43	PF1900A0243	绕线驱动轮(压铸件)	BTW DRIVING WHEEL	(1)
44	PF68425H33	螺钉	BTW DRIVING WHEEL ASM	(2)
45	PF1900A0245	针杆曲柄	COUNTER WEIGHT	1
46	PF1900A0246	针杆曲柄螺钉 A	COUNTER WEIGHT SCREW A	1
47	PF1900A0247	螺钉 M8 L=12	BOLT M8 L=12	1

2.MAIN SHAFT & NEEDLE BAR COMPONENTS

上轴、针杆部件

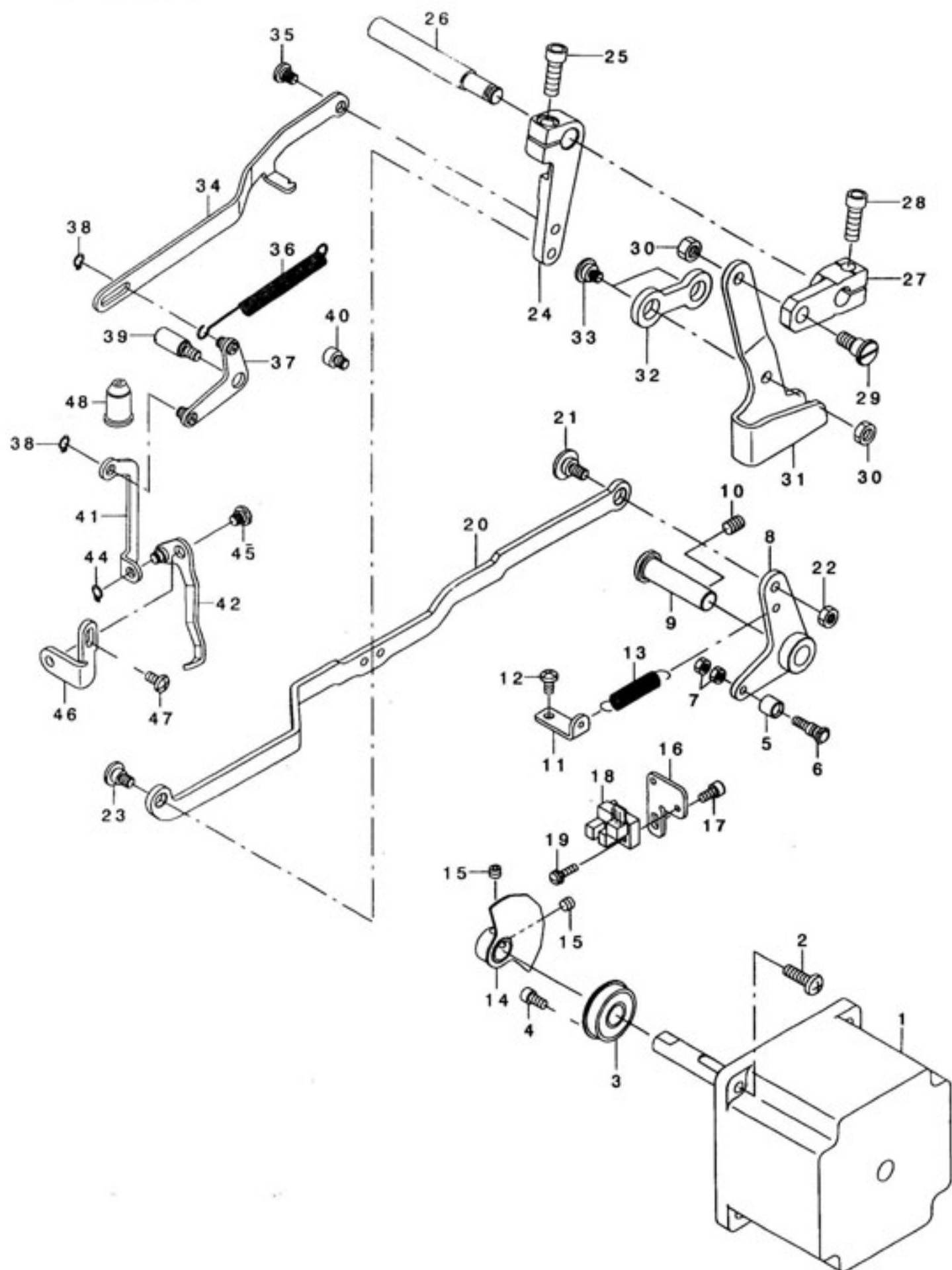


特种机系列>LS1900系列>2上轴、针杆部件

序号	品号CODE	名称	NAME	数量
48	PF1900A0218	螺钉 M6×0.75 L=6	SCREW M6×0.75 L=6	1
49	PF1900A0249	螺钉	SCREW	1
50	PF1900A0250	垫圈 11.6×8.2×0.6	WASHER 11.6×8.2×0.6	1
51	PF1900A0251	挑线连杆销	THREAD TAKE UP CRANK SHAFT	1
52	PF1900A0252	偏心轴组件	CRANK BALANCER ASM	1
53	PF1900A0253	偏心盖板	CRANK BALANCER FIX PLATE	(1)
54	PF1900A0254	开槽圆柱头螺钉螺钉 M5	CRANK BALANCRE FIX PLATE SCREW	(2)
55	PF1900A2909	偏心块	AC SERVO MOTOR	(1)
56	PF1900A0256	圆柱头内六角平端螺钉 M5 L=25	SCREW	4
57	PF1900A0257	联轴器	COUPLING	1
58	PF1900A0204	螺钉 M6 L=8	SCREW M6 L=8	4
59	PF19000240	手轮	PULLEY	1
60	PF1900A0260	手轮标签	REVOLVING DIRECTION LABEEL	1
61	PF1900A0261	手调滑轮轴	HAND PULLEY	1
62	SCJ4024	弹簧销 4×14	SPRING PIN 4×14	1
63	PF1900A0263	开槽圆柱头螺钉 M6 L=8	SET SCREW	1
64	PF19000250	弹簧	SPRING	1
65	PF1900A0265	齿轮A	GEAR A	1
66	PF1900A0266	螺钉 M4 L=3	SCREW M4 L=3	2
67	PF1900A0267	齿轮B	GEAR B	1
68	PF1900A0266	螺钉 M4 L=3	SCREW M4 L=3	2
69	PF1900A0269	针杆	NEEDLE BAR	1
70	PF1900A0270	针杆接头	NEEDLE BAR CLAMP	1
71	PF555049	螺钉 9/64-40 L=6	SCREW 9/64-40 L=6	1
72	PF19000216	滑块	SLIDE BLOCK	1
73	PF1900A0273	针杆上套筒	NEEDLE ROD METAL	1
74	PF1900A0274	针杆下套筒	NEEDLE ROD LOWER METAL	1
75	PF1900A0275	针杆过线勾	THREAD GUIDE	1
76	PF1900A0276	针杆过线勾	NEEDLE BAR THEAD GUIDE	1
79-1	PFDTDPD516	机针DP×5 #16	NEEDLE DP×5 #16	1
79-2	PFDTDPD521	机针DP×5 #21	NEEDLE DP×5 #21 H款	1
79-3	PFDTDPD511	机针DP×5 #11	NEEDLE DP×5 #11 K款	1
79-4	PFDTDPD1714	机针DP×17 #14	NEEDLE DP×17 #14 03款	1
79-5	PFDTDPD1716	机针DP×17 #16	NEEDLE DP×17 #16 04款	1
80	PF5550312	开槽圆柱头螺钉 M3	SCREW M3 L=4.5	1
81	PF1900A0281	垫片	WASHER	2
82	PF1900A0204	螺钉 M6 L=8	SCREW M6 L=8	2
83	PF1900A0283	交流伺服电机	AC SERVO MOTOR	1
84	PF1900A0204	开槽圆柱头螺钉 M6 L=12	SCREW M6 L=12	2
86	PF1900A0286	曲柄连杆销	PIN	1

3.PRESSER LIFTER & WIPER COMPONENTS

压脚提升部件

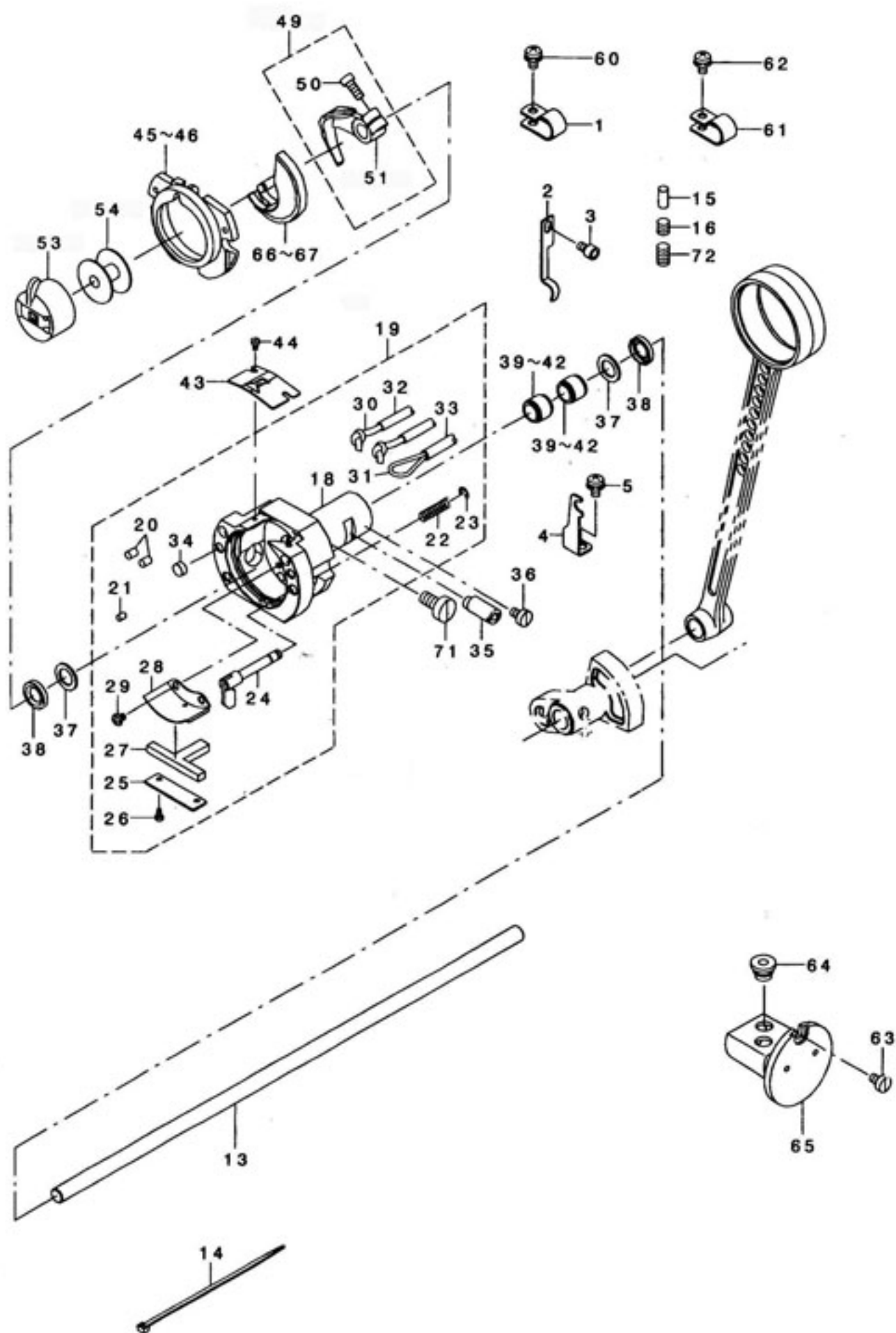


特种机系列>LS1900系列>3压脚提升部件

序号	品号CODE	名称	NAME	数量
1	PF1900A0301	压脚提升电机	PRESSER LIFTING MOTOR	1
2	PF1900A0302	螺丝 M5 L=16	SCREW M5 L=16	4
3	PF1900A0409	轴承	BEARING	1
4	PF1900A0109	螺丝 M5×0.7 L=8	SCREW M4×0.7 L=8	1
5	PF1900A0644	滚子A	NEEDLE CAM ROLLER A	1
6	PF1900A0306	铰链螺钉	CAM ROLLER SHAFT	1
7	PF1900A0307	螺母 M4×0.7	NUT M4×0.7	2
8	PF1900A0308	提升连杆组件	LIFTEN LINK A ASM	1
9	PF1900A0309	剪线轴	THREAD TRIMMER SHAFT	1
10	PF1900A0704	螺钉 M6 L=8	SCREW M6 L=8	1
11	PF1900A0311	复位弹簧勾	SPRING RACK	1
12	PF1900A0102	螺钉	SCREW	1
13	PF1900A0313	弹簧	SPRING	1
14	PF1900A0314	传感器板	SENSOR SLIT ASM	1
15	PF1900A0602	传感器板安装螺钉	SCREW	2
16	PF1900A0316	传感器安装座	SENSOR INSTALLING BASE	1
17	PF1900A0304	传感器板安装螺钉 M4×	SCREW M4×0.7 L=8	1
18	PF1900A0318	传感器	PHOTO SENSOR	1
19	PF1900A0319	传感器安装螺钉 M3×12	SCREW M3×12	1
20	PF1900A0320	提升连杆B	LIFTER LINK B	1
21	PF1900A0321	铰链螺钉 D=8 H=3.2	HINGE SCREW D=8 H=3.2	1
22	PF1900A0322	螺母 M5	NUT M5	1
23	PF1900A0323	铰链螺钉 D=7 H=4	HINGE SCREW D=7 H=4	1
24	PF1900A0324	连接臂	CONNECTING ARM	1
25	PF1900A0325	螺钉 M6 L=18	SCREW M6 L=18	1
26	PF1900A0326	连接轴	CONNECTING SHAFT	1
27	PF1900A0327	压脚启动板曲柄	LOWERING ARM	1
28	PF1900A0325	螺钉 M6 L=18	SCREW M6 L=18	1
29	PF1900A0329	铰链螺钉 D=7.79 H=6	HINGE SCREW D=7.94 H=6	1
30	PF1900A0330	螺母 M6	NUT M6	2
31	PF1900A0331	压脚启动板	LOWERING FOOL	1
32	PF1900A0332	连杆	CONNECTING LINK	1
33	PF1900A0333	铰链螺钉 D=10 H=4	HING SCREW D=10 H=4	2
34	PF1900A0334	拔线联接杆	WIPER CONNECTING LINK	1
35	PF1900A0335	铰链螺钉 M=6 H=2	HINGE SCREW D=6 H=2	1
36	PF19000503	弹簧	SPRING	1
37	PF1900A0337	拔线联接螺钉杆	WIPER CONNECTING ARM ASM	1
38	SCJ1052	卡簧 4.7	RETAINING RING 4.7	2
39	PF1900A0339	拔线联接板	WIPER CONNECTING LINK SHAFT	1
40	PF90000131	挑线连杆挡块	WIPER STOPPER	1
41	PF1900A0341	拔线联接杆	WIPER CONNECTING PLATE	1
42	PF1900A0342	拔线器组件C	WIPER C ASM	1
44	SCJ1052	卡簧 4.7	RETAINING RING 4.7	1
45	PF1900A0345	铰链螺钉 D=6.35 H=2.1	HINGE SCREW D=6.35 H=2.1	1
46	PF1900A0346	拔线器底板	WIPER BASE PLATE	1
47	PF1310C233	螺钉	SCREW	1
48	PF19000504	拔线器联接杆油封	WIPER CONNECTING PLATE OIL SEAL	1

4. SHUTTLE DRIVER SHAFT COMPONENTS

旋梭传动轴部件

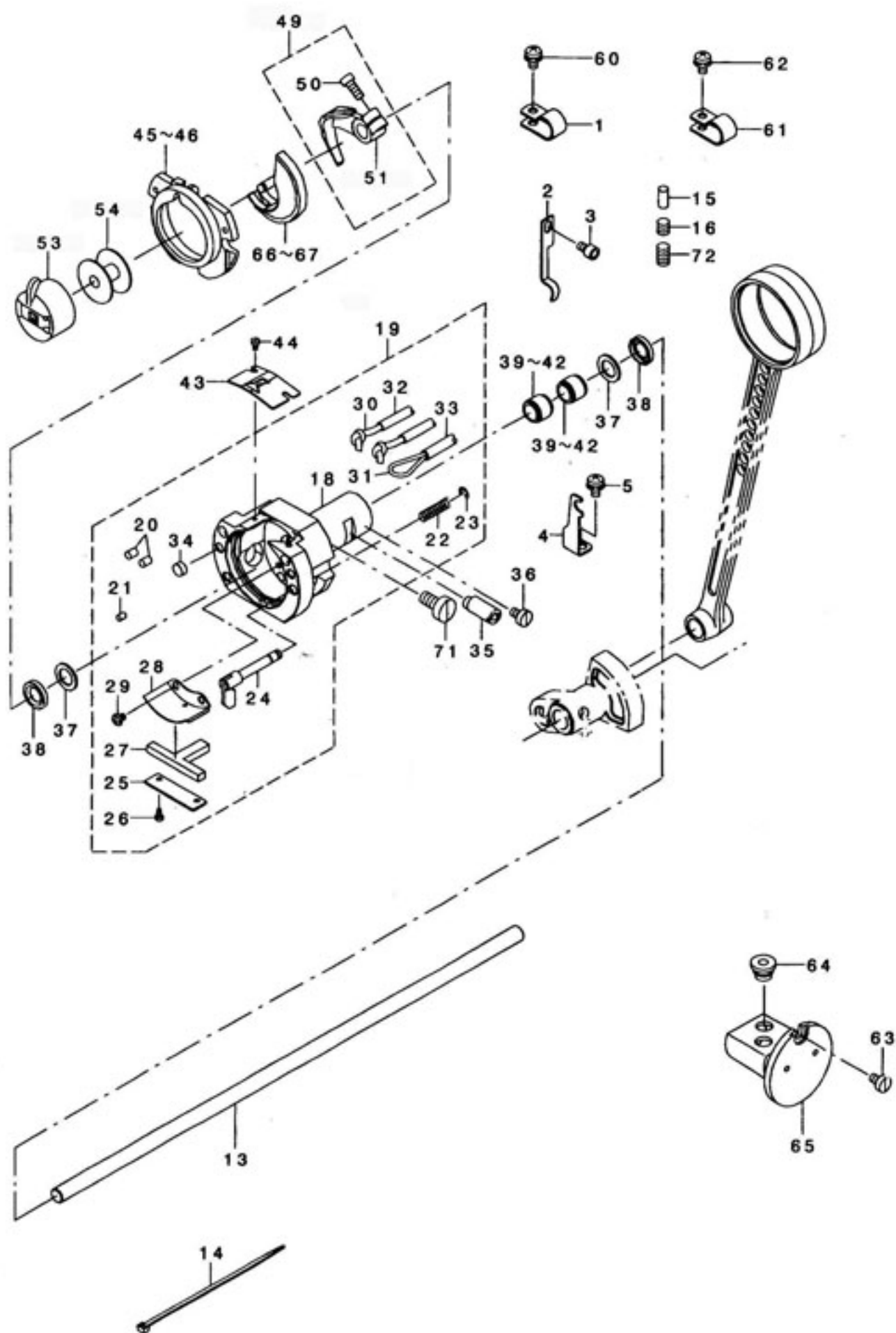


特种机系列>LS1900系列>4旋梭传动部件

序号	品号CODE	名称	NAME	数量
1	SCJ5035	管卡	CABLE CLIP	1
2	PF1900A0402	油管压板	OIL PIPE HOLDER	1
3	PF1900A0109	螺钉 M4 L=6	SCREW M4 L=6	1
4	PF1900A0404	油管卡板	TUBE CLAMP	1
5	PF1900A0546	螺钉 M4 L=8	SCREW M4 L=8	1
13	PF1900A041301	下轴	LOWER SHAFT	1
14	SCJ5031	扎带	CABLE BAND	2
15	PF1900A0415	油塞	OIL WICK PRESSER	1
16	PF1900A0744	螺钉	SCREW	1
18	PF1900A0418	梭床体	SHUTTLE	(1)
19	PF1900A0419	梭床体组件	SHUTTLE ASM	1
20	PF1900A0420	梭床油毡 A	SHUTTLE OIL FELT A	(2)
21	PF1900A0421	梭床油毡 B	SHUTTLE OIL FELT B	(1)
22	PF1900A0422	弹簧	INNER HOOK PRESSER SPRING	(2)
23	PF1900A0423	卡簧 3	E RING 3	(2)
24	PF1900A0424	梭床压板组件	INNER HOOK PRESSER ASM	(2)
25	PF1900A0425	油毡压板	ONCE THROUGH OIL FELT PRESSER	(1)
26	PF1900A0426	螺钉 M2 L=3.5	SCREW M2 L=3.5	(2)
27	PF1900A0427	油毡	SHUTTLE ONCE THROUGH OIL FELT	(1)
28	PF1900A0428	摆梭润滑板	SHUTTLE LUBRICATING PLATE	(1)
29	PF1900A0429	螺钉	SCREW	(2)
30	PF1900A0430	油芯	OIL WICK	(2.6)
31	PF1900A0431	油芯	OIL WICK	(1.4)
32	PF1900A0432	油管	TUBE	(1)
33	PF1900A0433	油管	TUBE	(0.6)
34	PF1900A0434	橡皮塞	SHUTTLE PACKING	(2)
35	PF19000422	旋梭调节轴	SHUTTLE RACE ADJUSTING SHAFT	1
36	PF1900A0109	螺钉 M=4 L=6	SCREW M4 L=6	1
37	PF1900A0437	旋梭轴承挡圈	SHUTTLE BEARING RING	2
38	PF1900A0438	旋梭油封	SHUTTLE OIL SEAL	2
39	PF1900A0439	轴承	BEARING	2
40	PF1900A0440	轴承	BERING	2
41	PF1900A0441	轴承	BEARING	2
42	PF1900A0442	轴承	BEARING	2
43	PF1900A0443	旋梭分线板	INNER HOOK UPPER SPRING	1
44	PF1900A0444	旋梭分线板螺钉 M2	SCREW M2 L=3.5	2
45	PF1900A0445	梭床组件 A	INNER HOOK PRESSER ASM A	1
46	PF1900A0446	梭床组件 B	INNER HOOK PRESSER ASM B	1
49	PF1900A0449	旋梭驱动组件	SHUTTLE DRIVER ASM	1
50	PF1900A0450	螺钉 3/16-12 L=12.0	SCREW 3/16-12 L=12.0	(1)
51	PF19000415	旋梭驱动器	SHUTTLE DRIVER	(1)
53	PF19000424	梭心套组件	BOBBIN CASE ASM (RACING PREVE	1
54	PF19000423	梭心	BOBBIN CASE ASM (RACING PREVE	1
60	PF1900A0546	螺钉 M4 L=8	SCREW M4 L=8	2
61	SCJ5035	管卡	CABLE CLIP	2
62	PF1900A0546	螺钉 M4 L=8	SCREW M4 L=8	2
63	PF1900A0109	螺钉 M4 L=6	SCREW M4 L=6	1

4. SHUTTLE DRIVER SHAFT COMPONENTS

旋梭传动轴部件

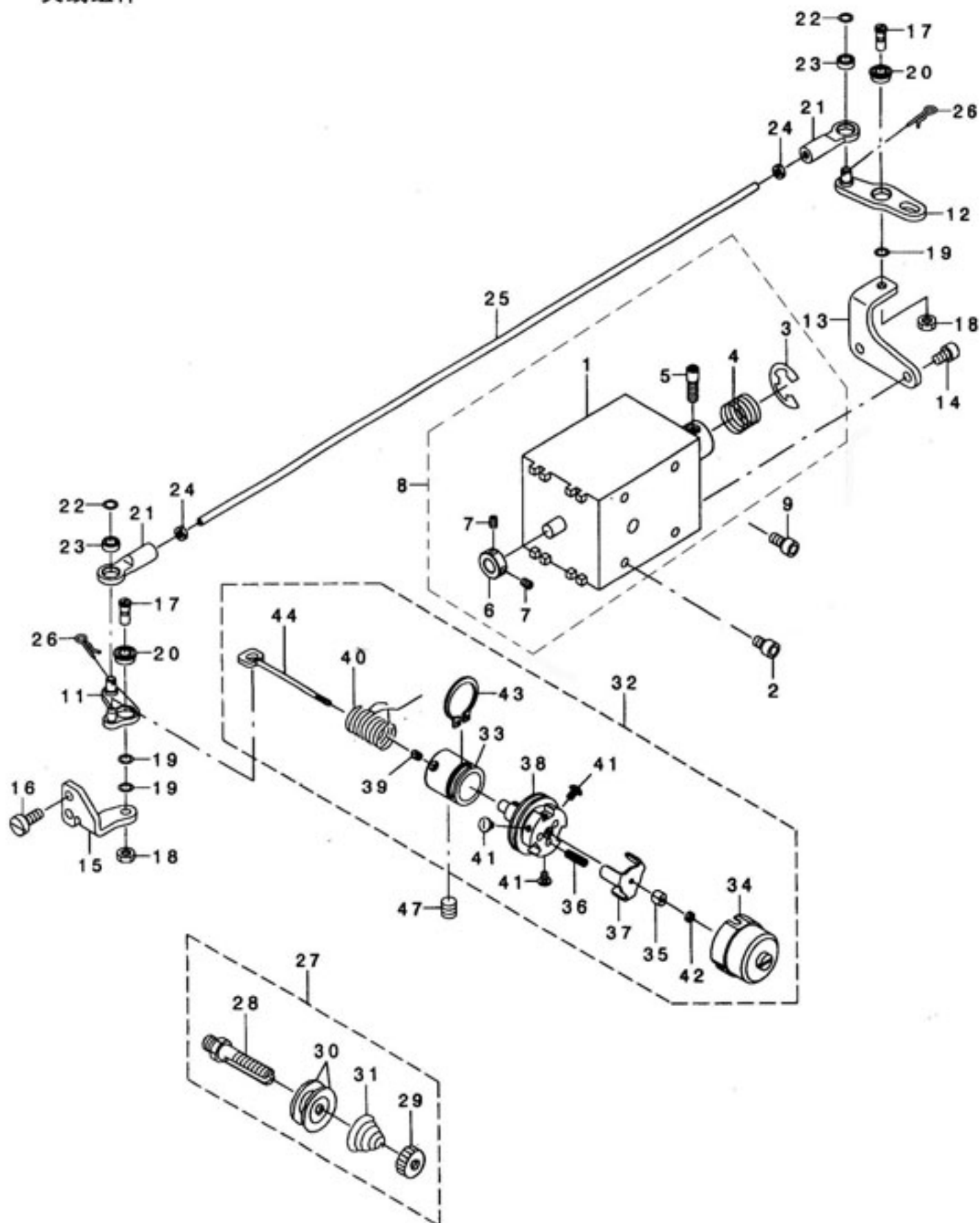


特种机系列>LS1900系列>4旋梭传动部件

序号	品号CODE	名称	NAME	数量
64	PF1900A0464	橡皮套	RUBBER BUSH	2
65	PF1900A0465	油标	OIL TANK ASM	1
66	PF19000420	摆梭	SHUTTLE	1
67	PF1900H420	摆梭 H款	SHUTTLE (H)	1
71	PF1900A0284	旋床体螺钉	SHUTTLE ASM SCREW	1
72	PF1900A0744	螺钉	SCREW	1

5.THREAD TENSION COMPONENTS

夹线组件

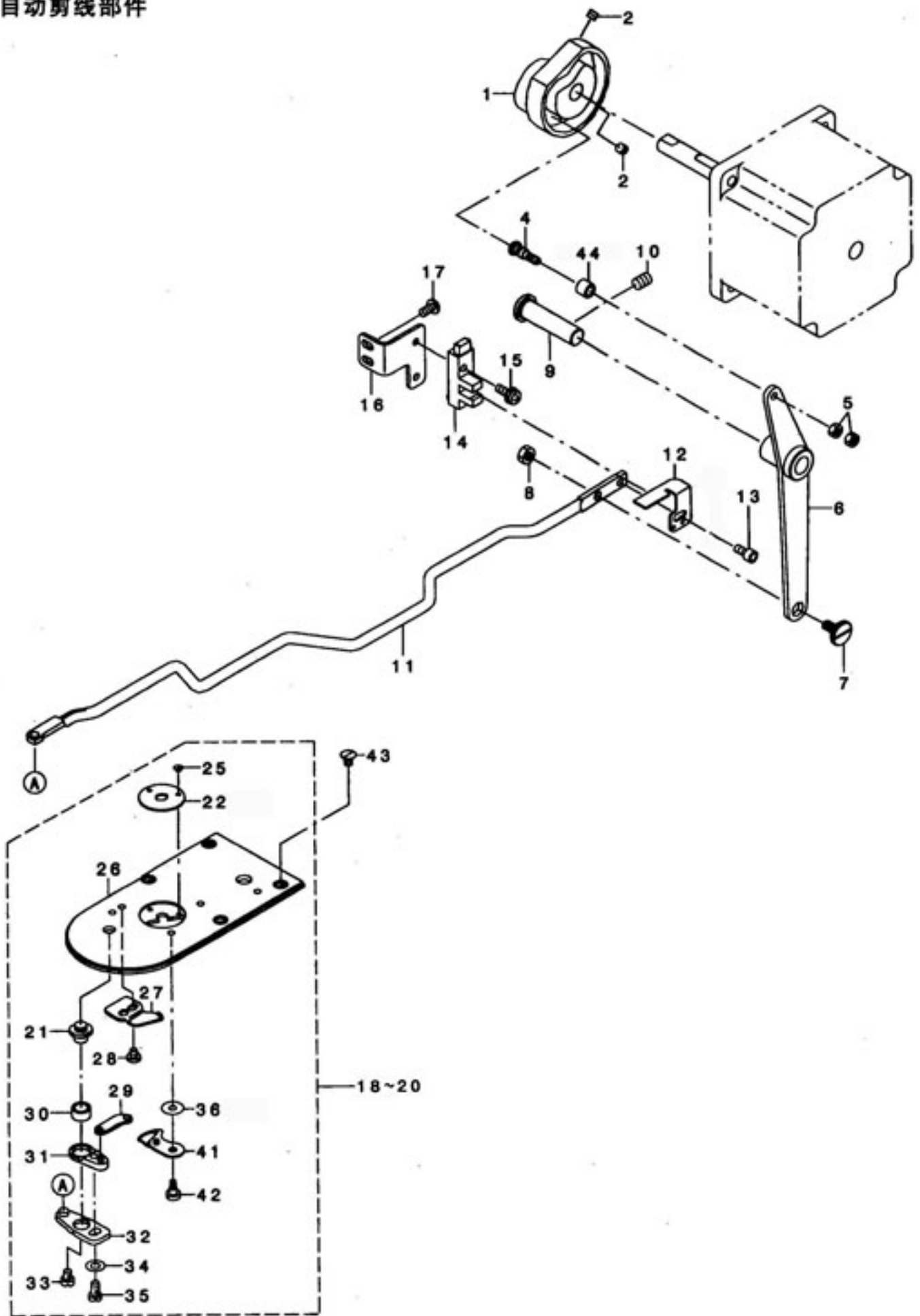


特种机系列>LS1900系列>5夹线部件

序号	品号CODE	名称	NAME	数量
1	PF1900A050101	电磁铁	AT SOLENOID	1
2	PF1900A0304	电磁铁安装螺钉 M4 L=16	SCREW M4 L=6	2
3	PF1900A0503	卡簧	E-RING 9	1
4	PF1900A0504	弹簧	SPRING	1
5	PF1900A0505	电磁铁销	AT SOL PIN	1
6	PF1900A0506	电磁铁挡圈	AT SOL COLLAR	1
7	PF1900A0507	螺钉	SCREW	2
8	PF1900A0508	电磁铁组件	AT ASM	1
9	PF1900A0509	螺钉	SCREW	2
11	PF1900A0511	传动杆(F) 组件	AT DRIVE LINK(F) ASM	1
12	PF1900A0512	松线推进器	AT DRIVE LINK(R) ASM	1
13	PF1900A2905	支撑座(R)	AT PIVOT BASE(R)	1
14	PF1900A0509	螺钉 M4 L=6	SCREW M4 L=6	2
15	PF1900A0515	支撑座(F)	AT PIVOT BASE(F)	1
16	PF1900A0140	螺钉 M4 L=10	SCREW M4 L=10	2
17	PF1900A0517	轴位螺钉	AT PIVOT SCREW	2
18	PF1900A0518	螺母 M4	NUT M4	2
19	PF1900A0519	垫片	PLAIN WASHER	3
20	PF1900A0520	轴承	AT PIVOT BEARING	2
21	PF1900A0521	接头	AT JOINT	2
22	PF1900A0522	垫圈	PLAIN WASHER	2
23	PF1900A0523	轴承	AT JOINT BEARING	2
24	PF1900A0524	螺母 M3	NUT M3	2
25	PF1900A0525	连杆	AT CONNECTION BAR	1
26	PF1900A0526	开口销	AT SNAP PIN	2
27	PF1900A0527	夹线组件	THREAD TENSION 1 ASM	1
28	PF1900A0528	夹线轴	THRED TENSION SHAFT	(1)
29	PF1900A0529	螺母	NUT	(1)
30	PF1900A0530	夹线板	THREAD TENSION DISK	(2)
31	PF1900A0531	夹线弹簧	FIRST THREAD TENSION SPRING	(1)
32	PF1900A0532	夹线组件	THREAD TENSION 2 ASM	1
33	PF1900A0533	夹线座	THREAD TENSION POST BASE	(1)
34	PF1900A0534	夹线套	DISK STOPPER HOLDER CAP	(1)
35	PF1900A0535	夹线轴辆环	THREAD TENSION SHAFT COLLAR	(1)
36	PF1900A0536	弹簧	DISK STOPPER SP	(3)
37	PF1900A0537	压板	DISK STOPPER	(1)
38	PF1900A0538	夹线器座	ASSY THREAD TENSION POST	(1)
39	PF1900A0539	螺钉	AT SOL COLLAR SCREW	(1)
40	PF1900A0540	挑线簧	THREAD TAKE UP SPRING	(1)
41	PF1900A0541	螺钉	HOLD CAP SCREW	(3)
42	PF1900A0542	螺母	SHAFT NUT	(1)
43	PF1900A0543	卡簧	POST BASE C RING	(1)
44	PF1900A0544	夹线器轴	THREAD TENSION SHAFT	(1)
47	PF1900A0744	螺钉 M6*16	SCREW M6*16	1

6.THREAD TRIMMER MECHANISM COMPONENTS

自动剪线部件

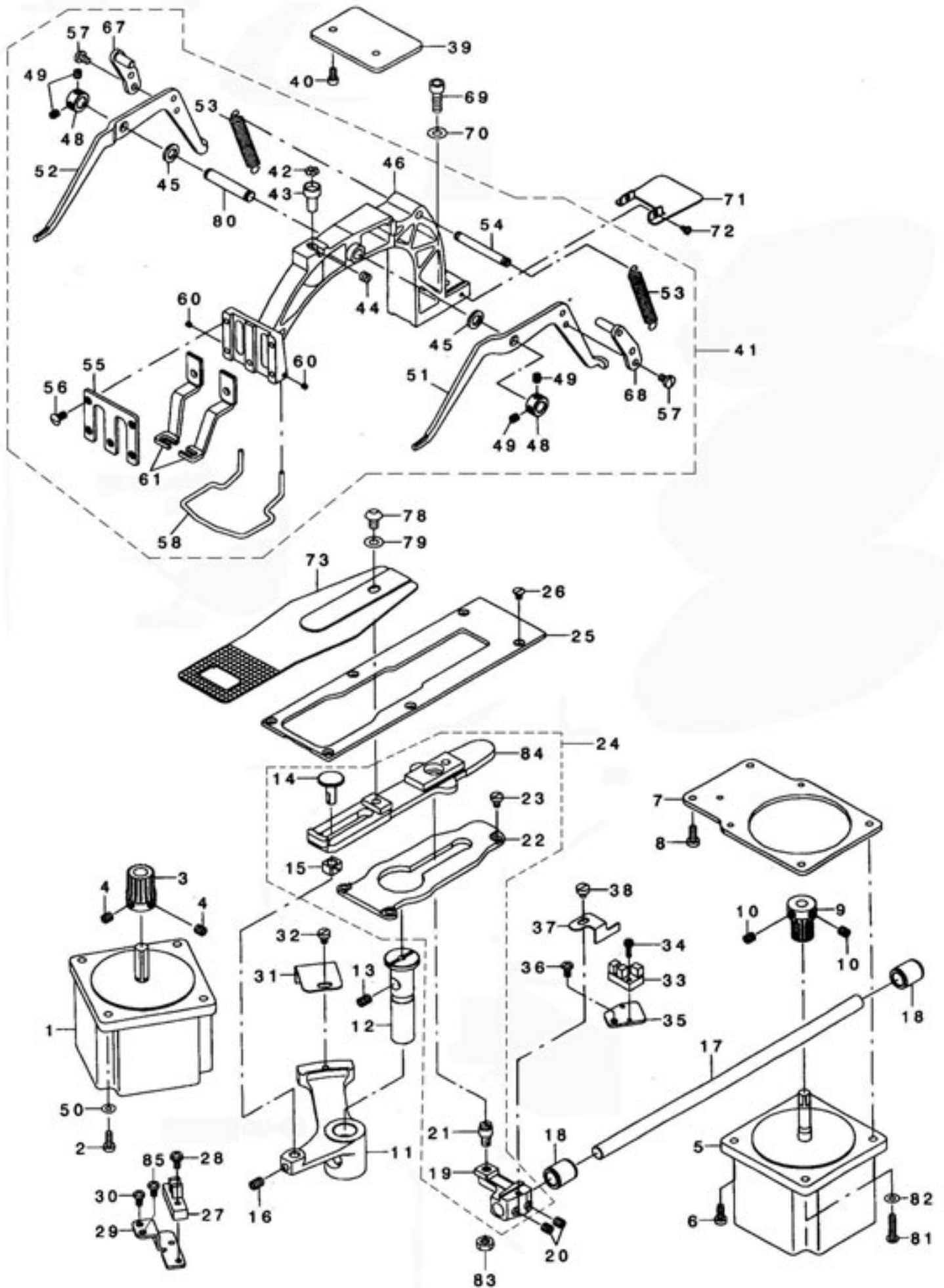


特种机系列>LS1900系列>6自动剪线部件

序号	品号CODE	名称	NAME	数量
1	PF1900A0601	剪线凸轮	THREAD TRIMMER CAM	1
2	BF310164514	螺钉	SCREW WASHER	2
4	PF1900A0306	凸轮滚子轴	CAM ROLLER SHAFT	1
5	PF1900A0307	螺母 M4×0.7	NUT M4×0.7	2
6	PF1900A0606	剪线杠杆	THREAD TRIMMER LINK ASM	1
7	PF1900A0607	轴位螺钉 D=8 H=3.2	HINGE SCREW D=8 H=3.2	1
8	PF1900A0322	螺母 M5	NUT M5	1
9	PF1900A0609	铰链轴	THREAD TRIMMER SHAFT	1
10	PF1900A0204	螺钉 M6 L=8	SCREW M6 L=8	1
11	PF1900A2912	剪线连杆	CONNECTING BAR	1
12	PF1900A0612	剪线感应板	THREAD TRIMMER SENSOR SLIT	1
13	PF1900A0304	螺钉 M4×0.7 L=8	SCREW M4×0.7 L=8	1
14	PF1900A0614	剪线传感器	PHOTO SENSOR	2
15	PF1900A0615	螺钉 M4 L=12	SCREW M4 L=12	1
16	PF1900A0616	传感器安装座	THREAD TRIMMER SENSOR BASE	1
17	PF1900A0102	螺钉	SCREW	2
18	PF1900A0618	针板组件 1.6	NEEDLE PLATE ASM 1.6	1
19	PF1900A0619	针板组件 2.4	NEEDLE PLATE ASM 2.4	1
20	PF1900A0620	针板组件 2.0	NEEDLE PLATE ASM 2.0	1
21	PF1900A0621	剪线杠杆轴	THREAD CUTTER LEVER SHAFT	(1)
22-1	PF1900A061801	引针孔 1.6	NEEDLE HOLE GUIDE	(1)
22-2	PF1900A061901	引针孔 2.4	NEEDLE HOLE GUIDE	(1)
22-3	PF1900A062201	引针孔 2.0	NEEDLE HOLE GUIDE	(1)
25	PF1900A0625	螺钉 3/32-56 L=2.2	SCREW 3/32-56 L=2.2	(2)
26	PF1900A0626	针板	NEEDLE PLATE	(1)
27	PF1900A0627	固定刀	FIXING KNIFE	(1)
28	PF1900A0628	轴位螺钉 9/64-40 L=3.5	SCREW 9/64-40 L=3.5	(2)
29	PF1900A0629	动刀连杆	MOVING KNIFE LINK	(1)
30	PF1900A0630	剪线杠杆套	THREAD CUTTING LEVER RING	(1)
31	PF1900A0631	剪线杠杆组件(小)	THREAD CUTTER LEVER ASM SMALL	(1)
32	PF1900A0632	剪线杠杆组件(大)	THREAD CUTTER LEVER ASM LARGE	(1)
33	PF1900A0633	螺钉 11/64-40 L=4.0	SCREW 11/64-40 L=4.0	(1)
34	PF1900A0634	垫片	WASHER	(1)
35	PF1900A0635	螺钉 11/64-40 L=7	SCREW 11/64-40 L=7	(1)
36	PF1900A0636	动刀垫片	MOVING KNIFE WASHER	(1)
41	PF1900A0641	动刀组件	MOVING KNIFE ASM	(1)
42	PF1900A0642	铰链螺 D=5.0 H=0.9	HINGE SCREW D=5.0 H=0.9	(1)
43	PF1900A0643	螺钉 M4 L=6	SCREW M4 L=6	4
44	PF1900A0644	凸轮滚子	NEEDLE CAM ROLLER	1

7.FEED MECHANISM COMPONENTS

送料部件

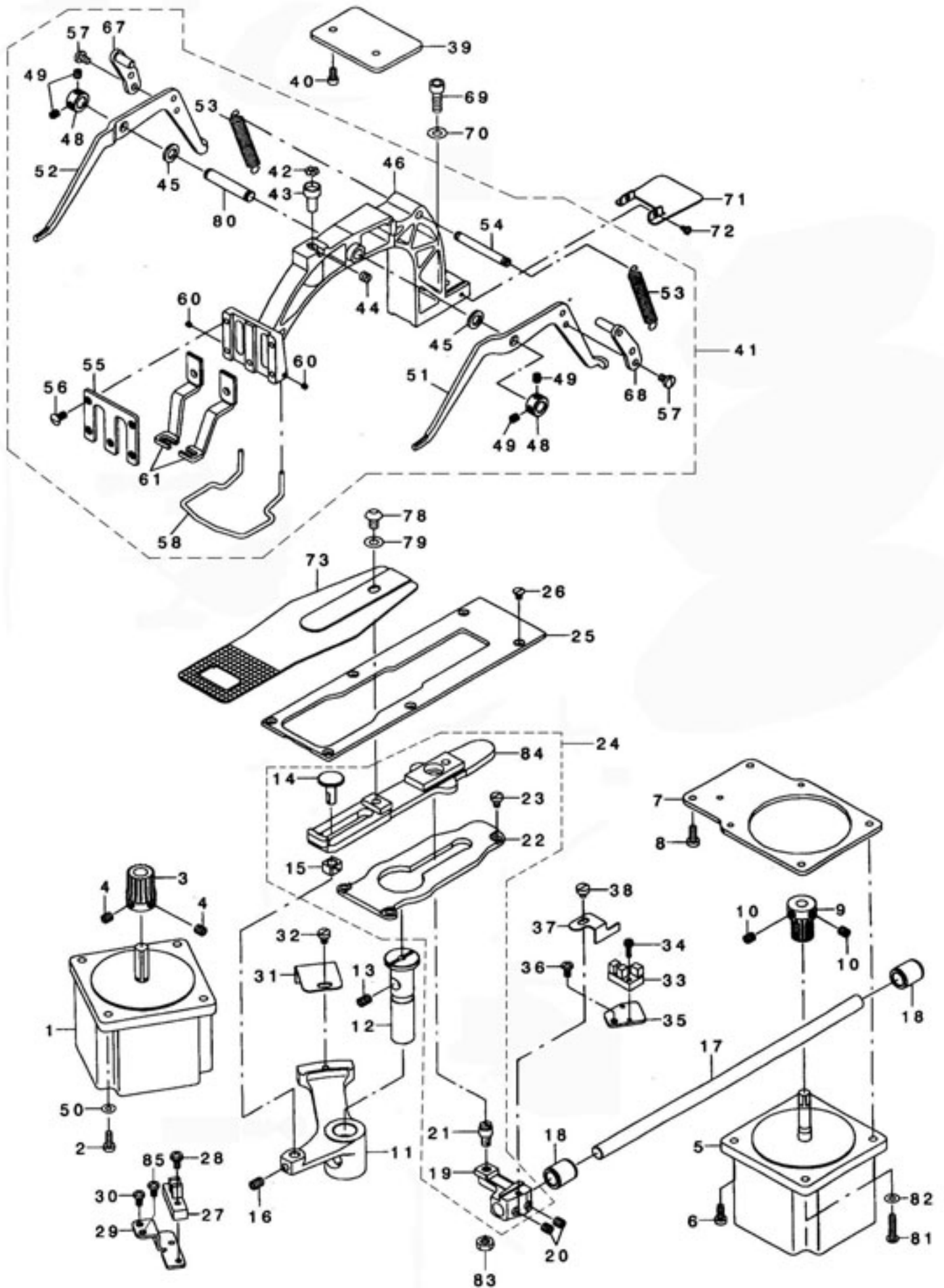


特种机系列>LS1900系列>7送料部件

序号	品号CODE	名称	NAME	数量
1	PF1900A0701	X向进料步进电机	X FFED MOTOR	1
2	PF1900A078101	圆柱头内六角螺钉	SCREW M4 L=16	4
3	PF1900A0703	X向进料步进电机齿轮	X FEED GEAR	1
4	PF1900A0704	螺钉 M6×6	SCREW M6×6	2
5	PF1900A0705	Y向进料步进电机	Y FEED MOTOR	1
6	PF1900A0702	螺钉 M4 L=11	SCREW M4 L=11	2
7	PF1900A0707	Y向进料步进电机安装板	Y FEED MOTOR BASE	1
8	PF1900A0120	螺钉 M4 L=11	SCREW M4 L=11	2
9	PF1900A0709	Y向进料齿轮	Y FEED GEAR	1
10	PF1900A0704	螺钉 M6×6	SCREW M6×6	2
11	PF1900A0711	横向送布驱动臂	CLOTH FEED ARM	1
12	PF1900A0712	送料驱动臂轴	FEED DRIVING ARM SHAFT	1
13	PF1900A0204	螺钉 M6 L=8	SCREW M6 L=8	1
14	PF1900A0714	滑块柱头螺栓	SLIDE BLOCK STUD	1
15	PF1900A0715	滑块	GUIDE ROLLER	1
16	PF1900A0204	螺钉 M6 L=8	SCREW M6 L=8	1
17	PF1900A0717	Y向进料杆	Y FEED SHAFT	1
18-1	PF1900A071801	送布轴套A	BUSHING REAR A	1
18-2	PF1900A071802	送布轴套B	BUSHING REAR B	1
19	PF1900A0719	Y向送料驱动曲柄	Y FEED ARM	1
20	PF1900A0720	螺钉 1/4-40 L=6	SCREW 1/4-40 L=6	2
21	PF1900A0721	螺钉销	HINGE STUD	1
22	PF1900A0722	拖布板支撑板	CLOTH FEED SUPPORT PLAE	1
23	PF1900A0109	螺钉	SCREW	3
24	PF1900A0724	拖布板	CLOTH FEED PLATE	1
25	PF1900A0725	送料压板	CLOTH FEED PRESSER PLATE	1
26	PF1900A0643	螺钉 M4 L=6	SCREW M4 L=6	6
27	PF1900A0727	传感器	PHOTO SCREW	1
28	PF1900A0546	螺钉 M4×0.7 L=12	SCREW M4×0.7 L=12	1
29	PF1900A0729	传感器安装座	SENSOR INSTALLING BASE	1
30	PF5550230	螺钉	SCREW SM3/16X28 L=6	1
31	PF1900A0731	横向送布传感器板	CROSSFED SENSOR SLIT	1
32	PF1900A0109	螺钉 M4 L=6	SCREW M4 L=6	1
33	PF1900A0733	传感器	PHOTO SENSOR	1
34	PF1900A0546	螺钉 M3×12	SCREW M3×12	1
35	PF1900A0735	传感器安装座	SENSOR INSTALLING BASE	1
36	PF1900A0546	螺钉	SCREW	1
37	PF1900A0737	纵向送布感应板	LENGTHWISE FEED SENSOR SLIT	1
38	PF6150227	螺钉 11/64-40 L=4.3	SCREW 11/64-40 L=4.3	1
39	PF1900A0739	支撑板	SUPPORT PLATE	1
40	PF1900A0509	螺钉 M4×0.7 L=8	SCREW M4×0.7 L=8	2
41	PF1900A0741	压脚架组件	FEED BRACKET B	1
42	SCJ6070	滚珠	WORK CLAMP FOOT MOUNTING BASE	7
43	PF1900A0743	滚珠座	BALL RETAINER	1
44	PF7811004	螺钉 15/64-28 L=4.7	SCREW 15/64-28 L=4.7	1
45	PF1900A0745	驱动臂垫圈	WASHER FOR DRIVING ARM	2
46	PF1900A0746	送布架 B	FEED BRACKET B	1

7.FEED MECHANISM COMPONENTS

送料部件

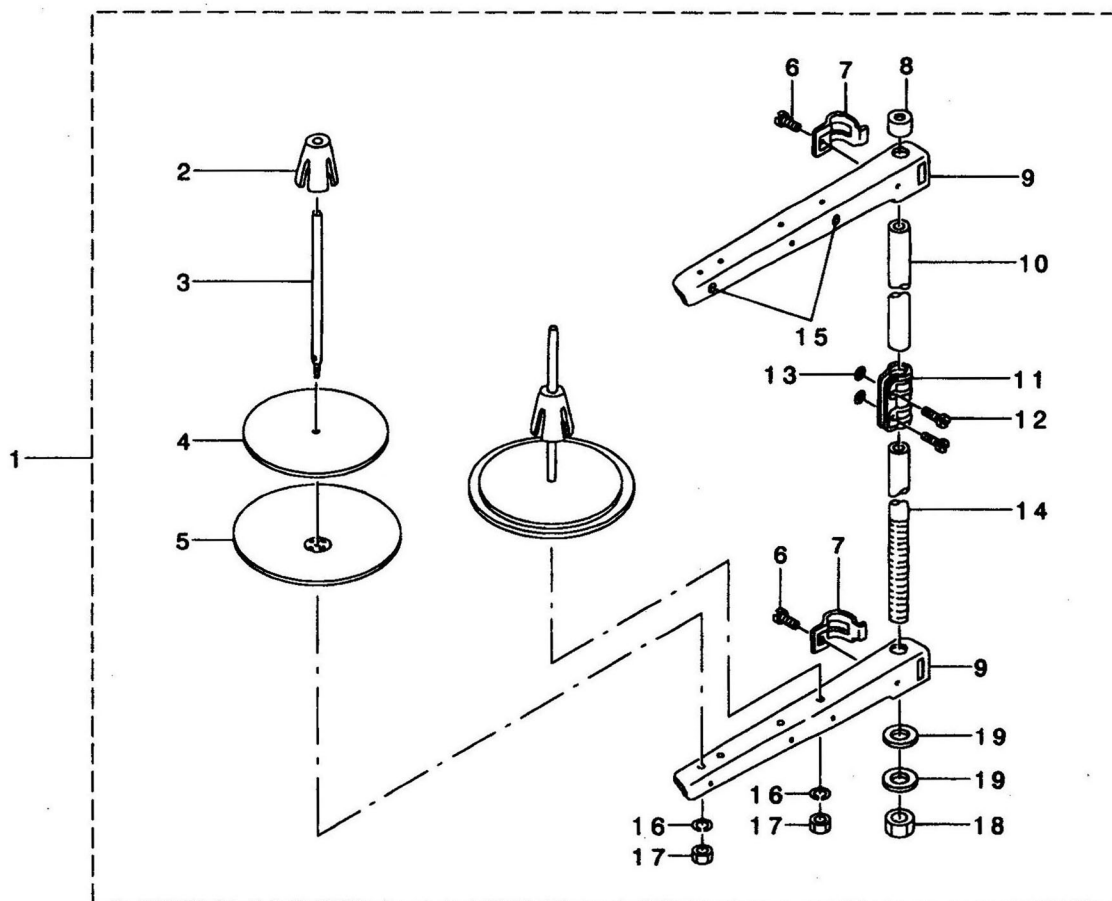


特种机系列>LS1900系列>7送料部件

序号	品号CODE	名称	NAME	数量
48	PF1900A0748	挡圈	THRUST COLLAR	2
49	PF1900A0749	螺钉 M5 L=5	SCREW M5 L=5	4
50	PF1900A0750	垫圈	WASHER	4
51	PF1900A0751	抬压脚右臂	LIFTING LEVER RIGHT	1
52	PF1900A0752	抬压脚左臂	LIFTING LEVER LEFT	1
53	PF1900A0753	弹簧	CLOTH PRESSER SPRING	2
54	PF1900A0754	拉簧销	SPRING SUSPENSION	1
55	PF1900A0755	压脚盖板	WORK CLAMP FOOT FACE PLATE	1
56	PF1900A0756	螺钉 11/64-40 L=8.7	SCREW 11/64-40 L=8.7	5
57	PF1900A0757	螺钉 11/64-40 L=7	SCREW 11/64-40 L=7	4
58	PF1900A0758	护指器	FINGER GUARD	1
60	PF1900A0760	螺钉 1/8-44 L=2.8	SCREW 1/8-44 L=2.8	2
61	PF1900083601	左右压脚	WORK CLAMP FOOT, RIGHT	1
67	PF1900A0767	驱动板组件 L	LEVER DRIVING PLATE L ASM	1
68	PF1900A0768	驱动板组件 R	LEVER DRIVING PLATE R ASM	1
69	PF1900A0325	螺钉 M6 L=18	SCREW M6 L=18	1
70	PF1900A0770	垫圈 6.2×13×1	WASHER 6.2×13×1	1
71-1	PF1900A0771	防尘板	HIDDEN PLATE	1
71-2	PF1900A077101	防尘板	HIDDEN PLATE	1
72	PF1900A0144	螺钉 M3 L=5	SCREW M3 L=5	2
73	PF19000814	送料板A	FEED PLATE A	1
	PF19000814	送料板H	FEED PLATE H	1
		送料板D	FEED PLATE D	1
78	PF19000864	螺钉 M6 L=10	SCREW M6 L=10	1
79	PF19000816	垫圈 6.2×13×1	WASHER 6.2×13×1	1
80	PF1900A0780	压脚提升轴	LIFTING LEVER SHAFT B	1
81	PF1900A078102	螺钉 M4 L=20	SCREW M4 L=20	2
82	SCJ3008	垫圈	WASHER	2
83	PF7811573	螺母	NUT	1
84	PF1900A0784	拖布板	CLOTH FEED PLATE	1
85	PF1900A0546	螺钉 M4 L=8	SCREW M4 L=8	1

10.THREAD STAND COMPONENTS

线架组件

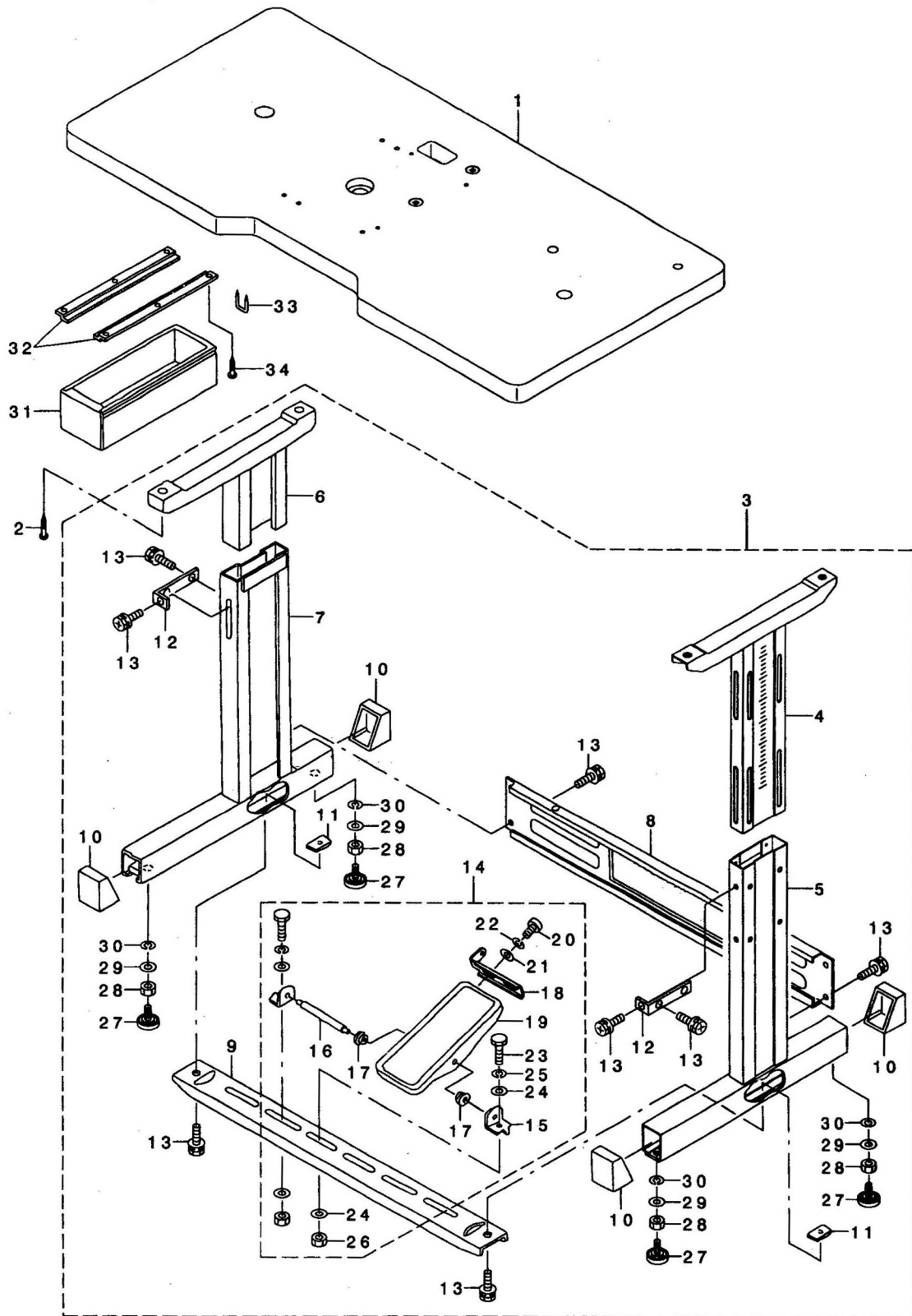


特种机系列>LS1900系列>10线架组件

序号	品号CODE	名称	NAME	数量
1	PF55501127	线架组件	THREAD STAND ASM	1
2	/	线盘钉限位器	SPOOL RETAINER	(2)
3	/	线轴销	SPOOL PIN	(2)
4	/	线盘垫	SPOOL REST CUSHION	(2)
5	/	线盘架	SPOOL REST	(2)
6	/	螺钉 M6 L=16	SCREW M6 L=16	(2)
7	/	过线杆连接臂	THREAD GUIDE ARM JOINT	(2)
8	/	线盘盖橡皮盖	SPOOL REST ROD RUBBER CAP	(1)
9	/	线盘组件	SPOOL REST ARM	(2)
10	/	上直杆	SPOOL REST ROD UPPEN	(1)
11	/	接头	SPOOL REST ROD JOINF	(1)
12	/	螺钉 M5 L=14	SCREW M5 L=14	(2)
13	/	螺母 M5	NUT M5	(2)
14	/	下直杆	SPOOL REST ROD LOWER	(1)
15	/	过线架	THREAD GUIDE	(2)
16	/	弹性垫片	SPRING WASHER	(2)
17	/	螺母 M5	NUT M5	(2)
18	/	螺母 M16X1.5	NUT M16X1.5	(1)
19	/	垫片 17X30X2.6	WASHER 17X30X2.6	(2)

11. TABLE STAND COMPONENTS

台板组件

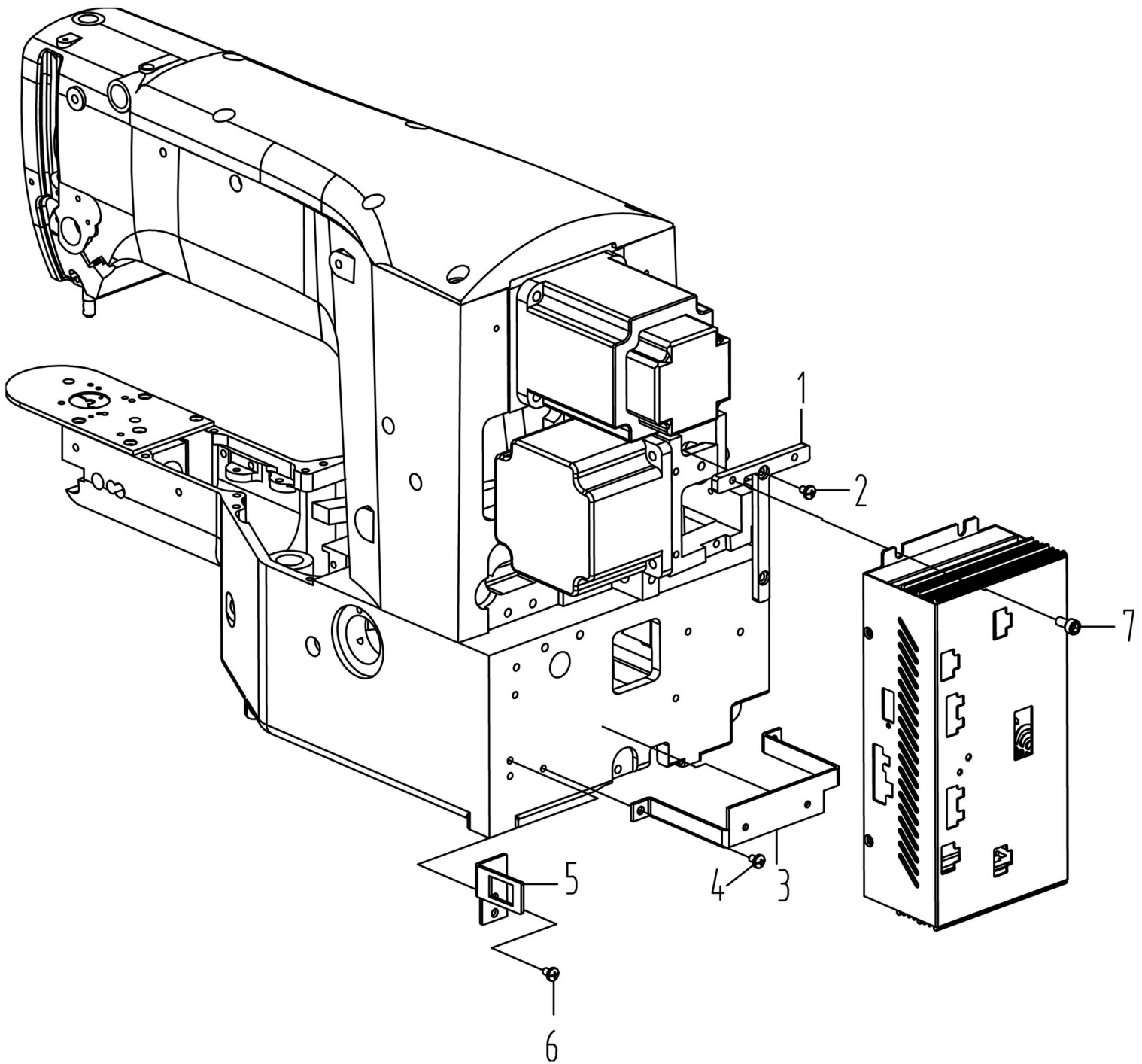


特种机系列>LS1900系列>11台板组件

序号	品号CODE	名称	NAME	数量
1	PF1900A110101	台板	TABLE	1
2	/	木螺钉 D=5.1 L=32	WOOD SCREW D=5.1 L=32	4
3	/	机架组件	T-STAND COMPL	1
4	/	右立机架 upper 节	UPPER STAND ASM RIGHT	(1)
5	/	右立机架 lower 节	STAND ASM RIGHT	(1)
6	/	左立机架 upper 节	UPPER STAND ASM	(1)
7	/	左立机架 lower 节	STAND ASM	(1)
8	/	机架横架	STAND SIDE SUPPORT	(1)
9	/	机架横架	STAND SIDE SUPPORT	(1)
10	/	橡皮碗	RUBBER CAP	(4)
11	/	螺母	NUT	(2)
12	/	立机架 upper 节固定板	UPPER STAND PLATE	(2)
13	/	螺钉	WASHER HEXAGONAL BOLT	(12)
14	/	踏板组件	Z-STAND PEDAL ASM	(1)
15	/	踏板轴支架	PEDAL SHAFT BRACKET	(2)
16	/	踏板连接杆	PEDAL CONNECTING ROD	(1)
17	/	连接杆套	PEDAL BUSHING	(2)
18	/	踏板调节板	PEDAL ADJUSTING PLATE	(1)
19	/	踏板	PEDAL ASM	(1)
20	/	螺钉 M6 L=12	SCREW M6 L=12	(2)
21	/	垫片 6.7X13X1	WASHER 6.7X13X1	(2)
22	/	弹性垫片 6.2X11.4X1.2	SPRING WASHER 6.2X11.4X1.2	(2)
23	/	螺钉 M8 L=20	SCREW M8 L=20	(2)
24	/	垫片 8.7X18X1.6	WASHER 8.7X18X1.6	(4)
25	/	弹性垫片 8.6X15X1.4	SPRING WASHER 8.6X15X1.4	(2)
26	/	螺母 M8	NUT M8	(2)
27	/	调节螺钉 带帽子	ADJUSTING SCREW ASM WITH CAP	(4)
28	/	螺母 M12	NUT M12	(4)
29	/	垫片 M12	WASHER M12	(4)
30	/	弹性垫片 12.5X21.5X3	SPRING WASHER 12.5X21.5X3	(4)
31	/	抽屉	DRAWER	1
32	/	抽屉导轨	DRAWER SUPPORT	2
33	/	导轨限位勾	DRAWER SUPPORT	1
34	/	木螺钉 D=3.1 L=16	WOOD SCREW D=3.1 L=16	6

12. CONTROL BOX COMPONENTS

电控箱组件

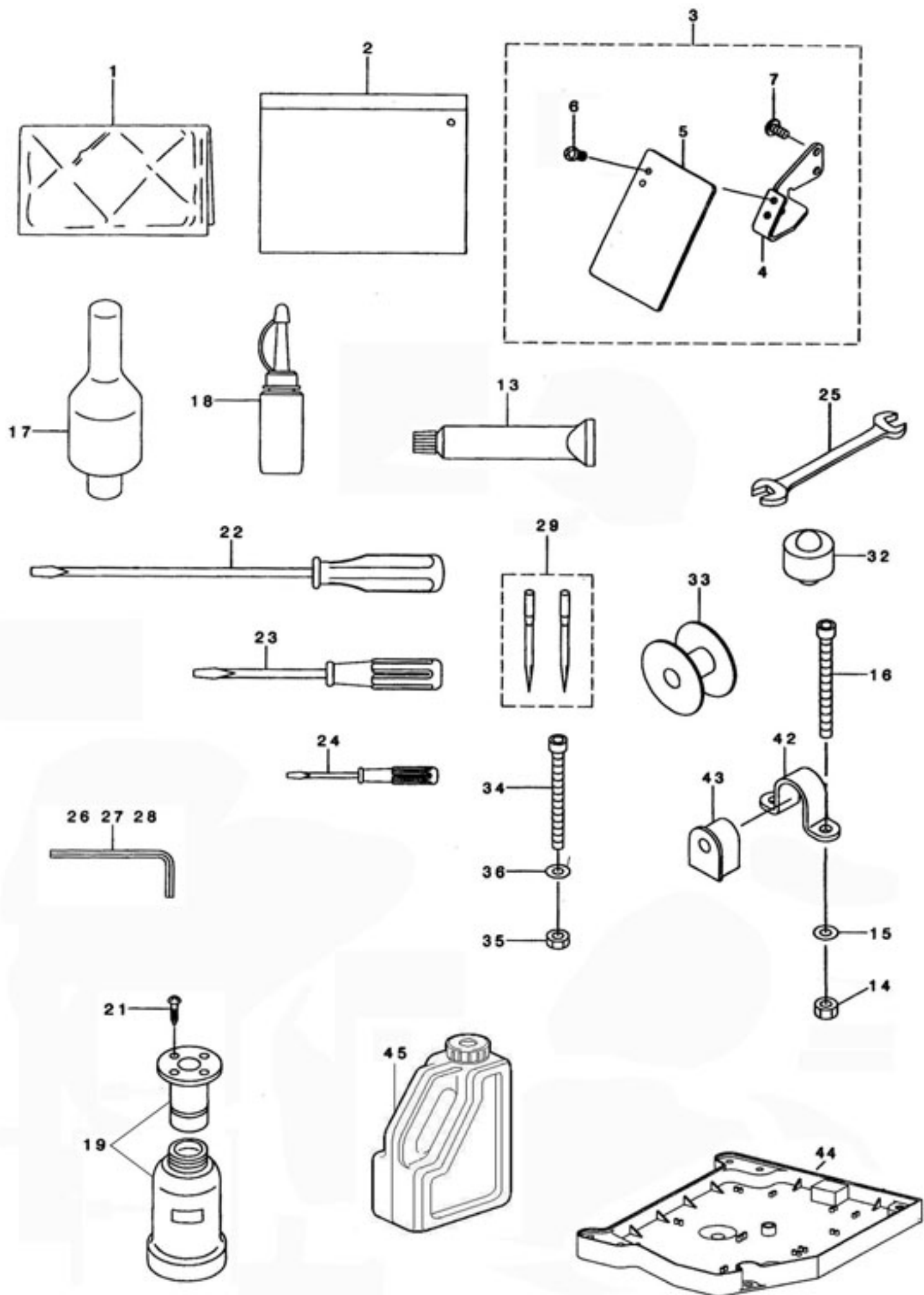


特种机系列>LS1900系列>12电控箱组件

序号	品号CODE	名称	NAME	数量
1	PF1900A120301	一体机电控上支架	Integrated electric control up bracket	1
2	PF1310D137	螺钉	SCREW	2
3	PF1900A120302	一体机电控下支架	Integrated electric control down bracket	1
4	PF1310C413	螺钉	SCREW	3
5	PF1900A120303	一体机电控开关支架	Integrated electrical control switch bracket	1
6	PF1310C228	螺钉	SCREW	2
7	PF1310C242	螺钉	SCREW	4

15.ACCESSORIE PART COMPONENTS

附件部分

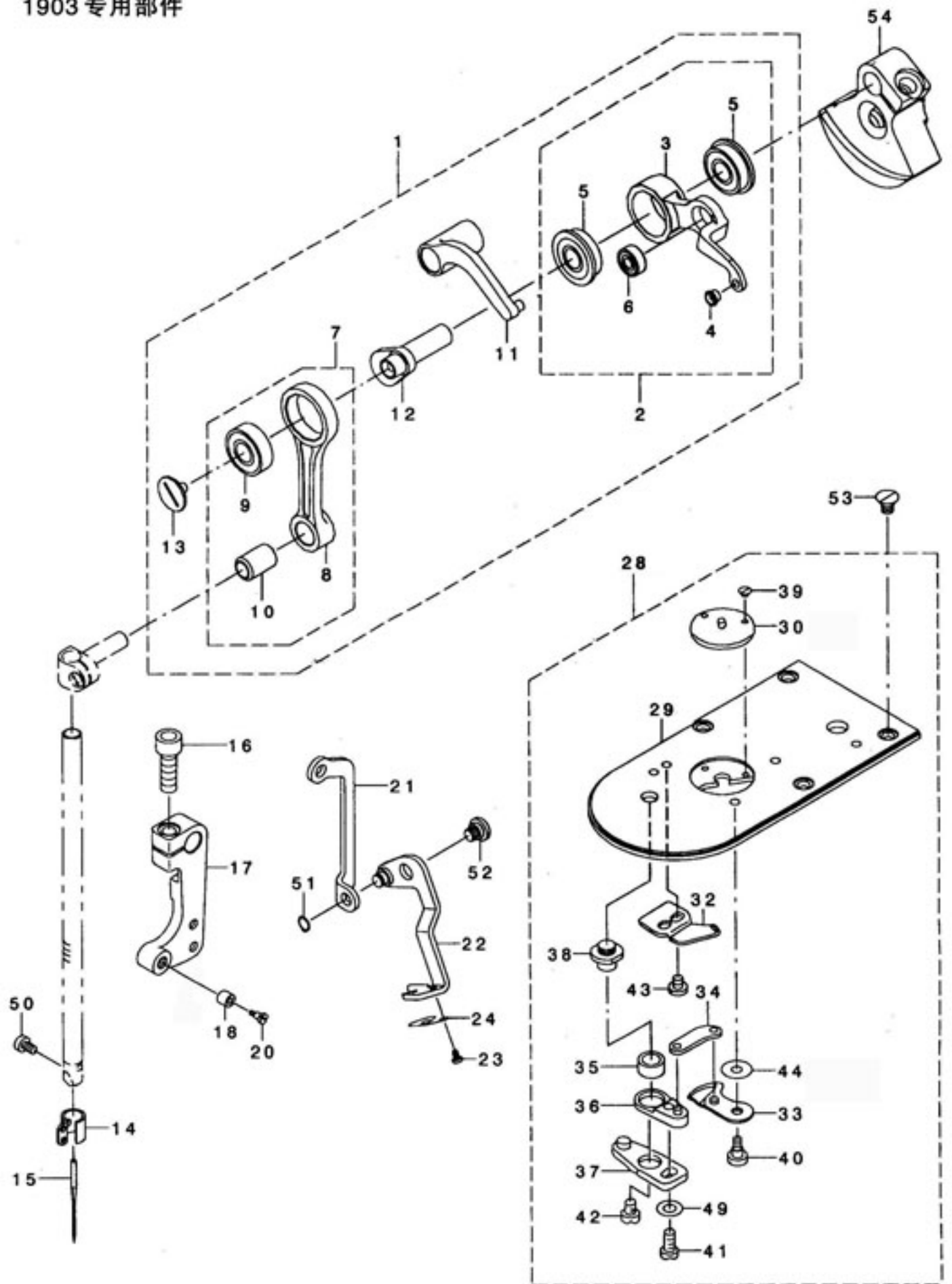


特种机系列>LS1900系列>15附件部分

序号	品号CODE	名称	NAME	数量
1	PF1790S140103	机头盖	HEAD COVER	1
2	PF5550102301	包装袋	ACCESSORIE BAG	1
3	PF1900A1503	安全板组件	SAFETY PLATE ASM	1
4	PF1900A1504	安全板固定板	SAFETY PLATE BASE	(1)
5	PF1900150102	安全挡板	SAFETY PLATE	(1)
6	PF1900A0102	螺钉 M4 L=6	SCREW M4 L=6	(2)
7	PF1900A0102	螺钉	SCREW	(2)
13	/	油脂B	GREASE B TUBE	1
14	PF19000120	螺母 M6	NUT M6	4
15	PF19000119	垫片	WASHER	4
16	PF19000118	螺钉 M6 L=60	BOLT M6 L=60	4
17	PF19000122	机头支杆	HEAD SUPPORT BAR	1
18	PF68425Z134	油壶	OIL CAN	1
19	PF19001503	油壶	OIL CAN	1
21	SCJ2036	木螺钉	WOOD SCREW	4
22	PF55501016	螺钉起子 大的	SCREW DRIVER , LARGE	1
23	PF55501017	螺钉起子 中的	SCREW DRIVER , MIDDLE	1
24	PF55501018	螺钉起子 小的	SCREW DRIVER , SMALL	1
25	PF61501109	板手 (9×10)	WRENCH(9×10)	1
26	SCJ6004	六角扳手 小的	HEXAGONAL WRENCH, SMALL	1
27	SCJ6005	六角扳手 中的	HEXAGONAL SPANNER	1
28	SCJ6006	六角扳手 大的	HEXAGONAL WRENCH, LARGE	1
29-1	PFDTDP516	机针 DP×5 16#	NEEDLE DP×5 16#	4
29-2	PFDTDP521	机针 DP×5 21# H款	NEEDLE DP×5 21# H款	4
29-3	PFDTDP511	机针 DP×5 11# K款	NEEDLE DP×5 11# K款	4
29-4	PFDTDP1714	机针 DP×17 14# 3款	NEEDLE DP×17 14# 03款	4
29-5	PFDTDP1716	机针 DP×17 16# 0405	NEEDLE DP×17 16# 0405款	4
32	PF1900A1532	机头防震垫	FRAME SUPPORT RUBBER	2
33	PF19000423	梭心	BOBBIN	2
34	PF19000118	螺钉 M6 L=60	BOLT M6 L=60	1
35	PF19000120	螺母 M6	NUT M6	1
36	PF19000119	垫片	WASHER	1
42	PF1900A1542	压板	BED HINGE	2
43	PF19000110	铰链橡皮	HINGE RUBBER	2
44	PF1900A1544	油盘	BED FITTING BASE	1
45	PF1900A1545	油壶	OIL CAN	1

20. EXCLUSIVE PARTS FOR 1903

1903 专用部件

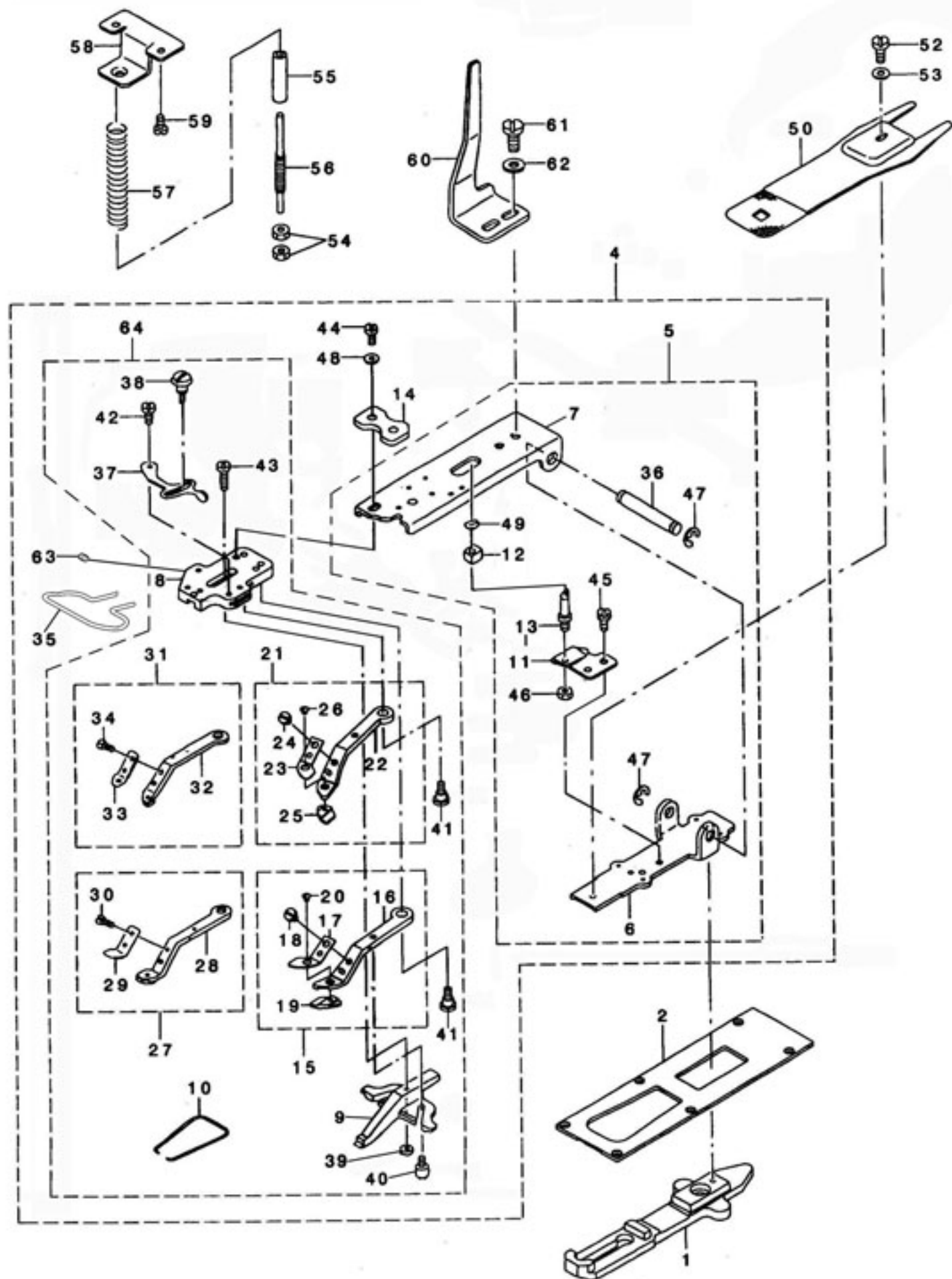


特种机系列>LS1900系列>201903专用部件

序号	品号CODE	名称	NAME	数量
1	PF1903A2001	挑线组件	THREAD TAKE UP B COMPL	1
2	PF1900A2002	挑线杆组件	THREAD TAKE UP LEVER B ASM	(1)
3	PF1900A2003	挑线杆	THREAD TAKE UP LEVER B	(1)
4	PF1900A2004	过线衬套	THREAD PASS BUSH	(1)
5	PF1900A2005	轴承	BEARING	(2)
6	PF1900A2006	轴承	BEARING	(1)
7	PF1900A2007	针杆连杆组件	NEEDLE BAR CRANK ROD ASM	(1)
8	PF1900A2008	针杆连杆	NEEDLE BAR CRANK ROD	(1)
9	PF1900A2009	轴承	BEARING	(1)
10	PF1900A2010	针杆连杆衬套	NEEDLE BAR CRANK ROD BUSH	(1)
11	PF1900A2011	挑线连杆	THREAD TAKE UP CRANK	(1)
12	PF1900A2012	针杆曲柄B	NEEDLE ROD CRANK B	(1)
13	PF1900A2013	螺钉	LEFT SCREW	(1)
14	PF19032302	针杆过线器	NEEDLE BAR THREAD GUIDE	1
15	PFDTDP1714	机针 DOX17 #14	NEEDLE DOX17 #14	1
16	PF1900A0325	螺钉 M6 L=18	SCREW M6 L=18	1
17	PF19032704	曲柄B	CONNECTING ARM B	1
18	PF19032405	滚筒	STOP MOTION TRIPPING LEVER CAM	1
20	PF19032404	铰链螺钉 D=7.94 H=12.7	HINGE SCREW D=7.94 H=12.7	1
21	PF1900A0341	拔线连杆 B	WIPER CONNECTING PLATE B	1
22	PF19032103	拔线组件	WIPER ASM	1
23	PF9820L44	螺钉 3/32-56 L=2.8	SCREW 3/32-56 L=2.8	2
24	PF19032102	弹簧	WIPER THREAD CATCH SPRING	1
28	PF1903A2028	针板组件	NEEDLE PLATE ASM K	1
29	PF1900A2029	针板	NEEDLE PLATE	(1)
30	PF1903A202801	导向板(2.0)	GUIDE	(1)
32	PF1900A2032	定刀	FIXING KUIFE	(1)
33	PF1900A2033	动刀组件	MOVING KNIFE ASM	(1)
34	PF1900A2034	动刀杆	MOVING KNIFE LINK	(1)
35	PF1900A2035	动刀杆衬套	THREAD CUTTING LEVER RING	(1)
36	PF1900A2036	动刀杆轴 小的	THREAD CUTTER LEVER ASM SMALL	(1)
37	PF1900A2037	动刀杆轴 大的	THREAD CUTTER LEVER ASM LARG	(1)
38	PF1900A2038	动刀杆轴	THREAD CUTTER LEVER SHAFT	(1)
39	PF1900A2039	螺钉 3/32-56 L=2.2	SCREW 3/32-56 L=2.2	(2)
40	PF1900A2040	铰链螺钉 D=5.0 H=0.9	HINGE SCREW D=5.0 H=0.9	(1)
41	PF1900A2041	螺钉 11/64-40 L=70	SCREW 11/64-40 L=7	(1)
42	PF1900A2042	螺钉 11/64-40 L=4.0	SCREW 11/64-40 L=4.0	(1)
43	PF1900A2043	螺钉 9/64-40 L=3.5	SCREW 9/64-40 L=3.5	(2)
44	PF1900A2044	动刀垫片	MOVING KNIFE WASHER	(1)
49	PF1900A2049	垫片	WASHER	(1)
50	PF555049	螺钉 M3 L=5	SCREW M3 L=5	1
51	SCJ1052	卡簧 4.7	RETAINING RING 4.7	1
52	PF1900A0345	轴位螺钉	SHOULDER SCREW	1
53	PF1900A0643	螺钉	SCREW	4
54	PF1903A2054	针杆曲柄 B	COUNTER WEIGHT B	1

21. EXCLUSIVE PARTS FOR 1903

1903 专用部件

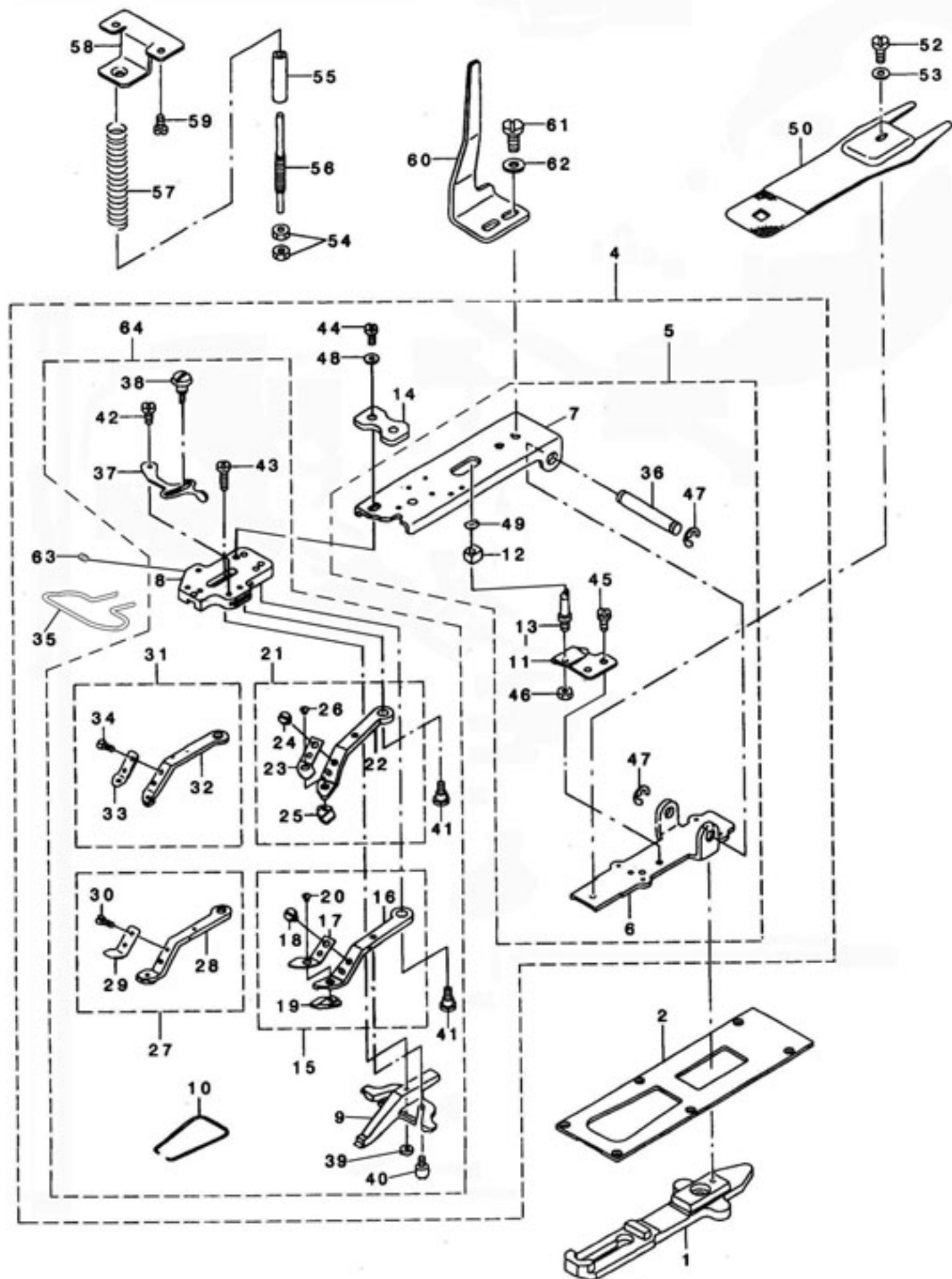


特种机系列>LS1900系列>211903专用部件

序号	品号CODE	名称	NAME	数量
1	PF1903A2101	送料板	CLOTH FEED PLATE	1
2	PF1903A0725	送料压板	CLOTH FEED PRESSER PLATE B	1
4	PF1900A2104	压脚组件	VERY SMALL CLAMP MECHANISM ASM	1
5	PF19032247	压脚组件	MEDIUM CLAMP MECHANISM ASM	1
6	PF1900A2106	爪脚提升板	PICK-UP INSTALLING BASE	(1)
7	PF1900A2107	爪脚提升板	PICK-UP FOOT INSTALLING BASE	(1)
8	PF1900A2108	安装板	PICK-UP FOOT INSTALLING BASE	(1)
9	PF1900A2109	定位板	BUTTON CLAMP SLIDE	(1)
10	PF1900A2110	弹簧	BUTTON CLAMP JAW LEVER SPRING	(1)
11	PF1900A2111	支撑板	SUPPORT PLATE	(1)
12	PF1900A2112	滑块	SLIDE BLOCK	(1)
13	PF1900A2113	螺栓	STATIONING BLOCK SHAFT\	(1)
14	PF19032242	压板	PRESSER PLATE	(1)
15	PF1900A2115	右爪脚组件	MIDDLE CLAMP JAW LEVER ASM R	(1)
16	PF1900A2116	右爪脚臂	SMALL CLAMP JAW LEVER ASM L	(1)
17	PF1900A2117	弹簧	SPRING RIGHT	(1)
18	PF1900A2118	螺钉 9/64-40 L=3.5	SCREW 9/64-40 L=3.5	(1)
19	PF1900A2119	压料板	PLATE L R	(1)
20	PF1900A2120	螺钉 3/32-56 L=3	SCREW 3/32-56 L=3	(1)
21	PF1900A2121	左爪脚组件	MIDDL CLAMP JAW LEVER ASM L	(1)
22	PF1900A2122	左爪脚臂	SMALL CLAMP JAW LEVER L	(1)
23	PF1900A2123	弹簧	SPRING , LEFT	(1)
24	PF1900A2124	螺钉 9/64-40 L=3.5	SCREW 9/64-40 L=3.5	(1)
25	PF1900A2125	压料板	PLATE L, L	(1)
26	PF1900A2126	螺钉 3/32-56 L=3	SCREW 3/32-56 L=3	(1)
27	PF1900A2127	压脚组件	EXTRA SMALL CLAMP LEVER ASM L	(1)
28	PF1900A2128	右爪脚臂	EXTAR SMALL CLAMP LEVER ASM L	(1)
29	PF1900A2129	弹簧	SPRING RIGHT	(1)
30	PF1900A2130	螺钉 9/64-40 L=3.5	SCREW 9/64-40 L=3.5	(1)
31	PF1900A2131	左爪脚组件	EXTRA SMALL CLAMP LEVER ASM L	(1)
32	PF1900A2132	左爪脚臂	EXTRA SMALL CLAMP LEVER ASM L	(1)
33	PF1900A2133	弹簧	SPRING LEFT	(1)
34	PF1900A2134	螺钉 9/64-40 L=3.5	SCREW 9/64-40 L=3.5	(1)
35	PF430GE15	护指器	FINGER GUARD	(1)
36	PF1900A2136	压脚轴	INSTALLING SHAFT	(1)
37	PF1900A2137	调节板手	SNAP FASTENER CLAMP STOP LEVER	(1)
38	PF1900A2138	螺钉	CLAMP SCREW A	(1)
39	PF1900A2139	螺母	NUT	(1)
40	PF1900A2140	螺栓	BUTTON CLAMP STOP PIN	(2)
41	PF1900A2141	铰链螺钉 D=6.35 H=3.9	HINGE SCREW D=6.35 H=3.9	(2)
42	PF1900A2142	铰链螺钉 D=5.50 H=1.8	HINGE SCREW D=5.50 H=1.8	(1)
43	PF1900A2143	铰链螺钉 D=5.5 H=3	HINGE SCREW D=5.5 H=3	(1)
44	PF19032220	螺钉 3/16-32 L=13.5	SCREW 3/16-32 L=13.5	(2)
45	PF1900A2145	螺钉 11/64-40 L=4	SCREW 11/64-40 L=4	(2)
46	PF1900A2146	螺母 15/64-28	NUT 15/64-28	(1)
47	PF1900A2147	卡簧 7	E-RING 7	(2)
48	PF19000608	垫片	WASHER	(2)

21. EXCLUSIVE PARTS FOR 1903

1903 专用部件

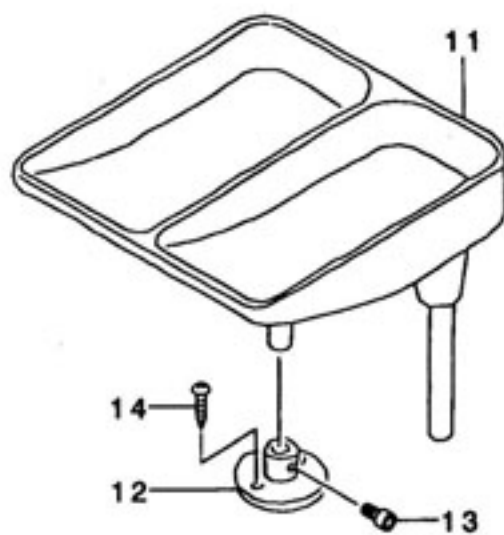
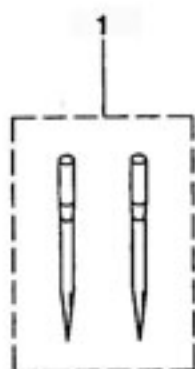


特种机系列>LS1900系列>211903专用部件

序号	品号CODE	名称	NAME	数量
49	PF1900A2149	卡簧	SNAP RING FOR CONNECTING ROD	(1)
50	PF19032209	压力盘	PRESSURE PLATE	1
52	PF19032208	螺钉 11/64-40 L=5.3	SCREW 11/64-40 L=5.3	1
53	PF19000816	垫圈	WASHER	1
54	PF19032219	压线螺母	THREAD TENSION NUT	2
55	PF19032214	套筒	SLEEVE	1
56	PF19032218	调节杆	ADJUSTING SHAFT	1
57	PF19032217	压簧	PRESSURE SPRING	1
58	PF19032215	安装板	ACCEPT PLATE UPPER	1
59	PF1900A0509	螺钉	SCREW	2
60	PF19032213	移动盘	MOVING PLATE	1
61	PF19032220	螺钉 3/16-32 L=13.5	SCREW 3/16-32 L=13.5	2
62	PF1900A0770	垫片	WASHER	2
63	PF430GE16	固定螺钉 SM3.57	SCREW	2
64	PF430GE17	钮夹组件	BUTTON CLAMP ASSY	1

22.ACCESSORIES PARTS FOR 1900A SUBCLASSES

1903附件部分

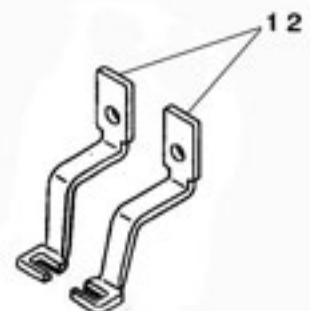
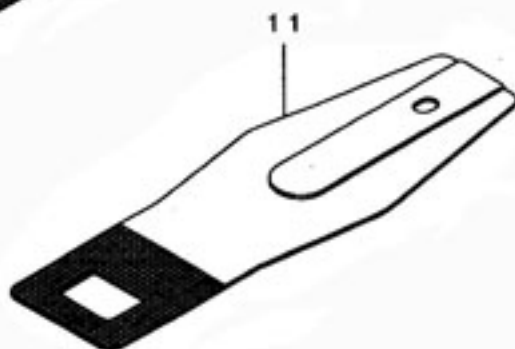
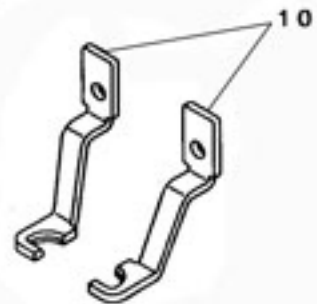
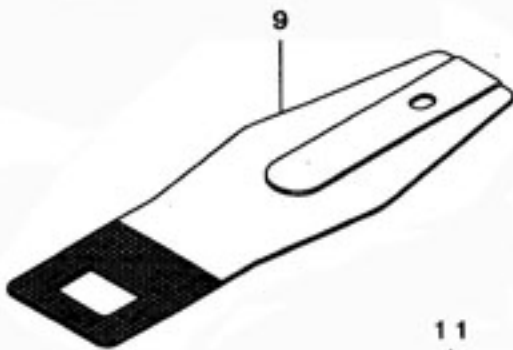
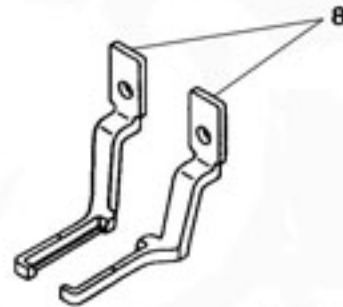
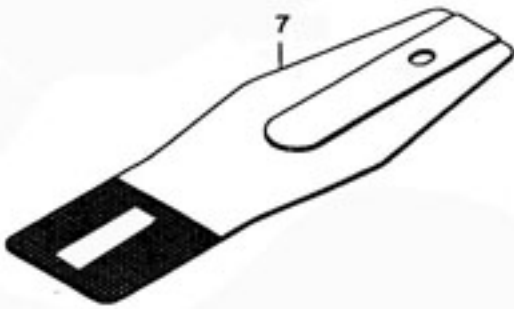
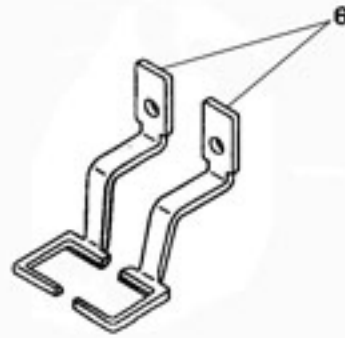
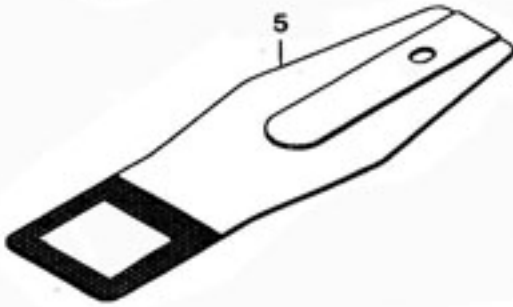
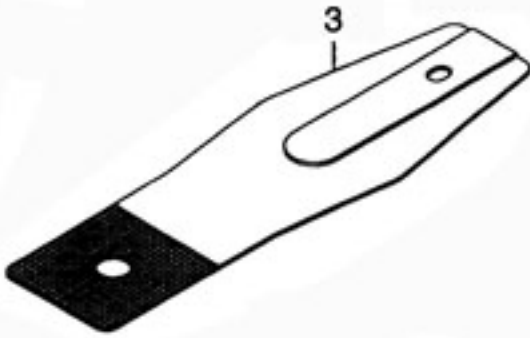
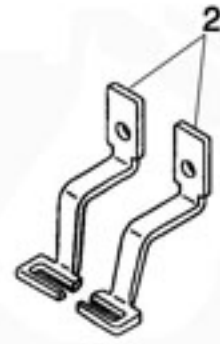
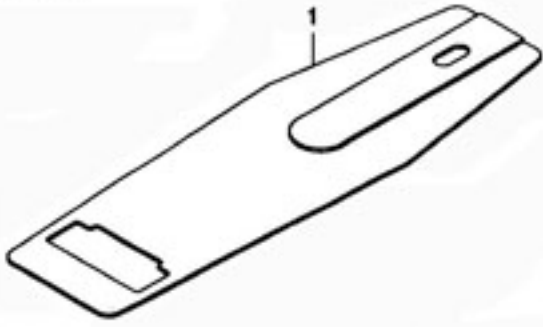


特种机系列>LS1900系列>221903附件部件

序号	品号CODE	名称	NAME	数量
1	PFDTDP1714	机针 DPX17 14#	NEEDLE DPX17 14#	4
11	PF19032501	扭扣盘	BUTTON TRAY ASM	1
12	PF19032503	扭扣盘座	BUTTON TRAY BASE	1
13	PF1310B24	螺钉 M6 L=12	SCREW M6 L=12	1
14	SCJ2106	木螺钉 D=4.1 L=20	WOOD SCREW D=4.1 L=20	2

23.OPTION COMPONENTS(1)

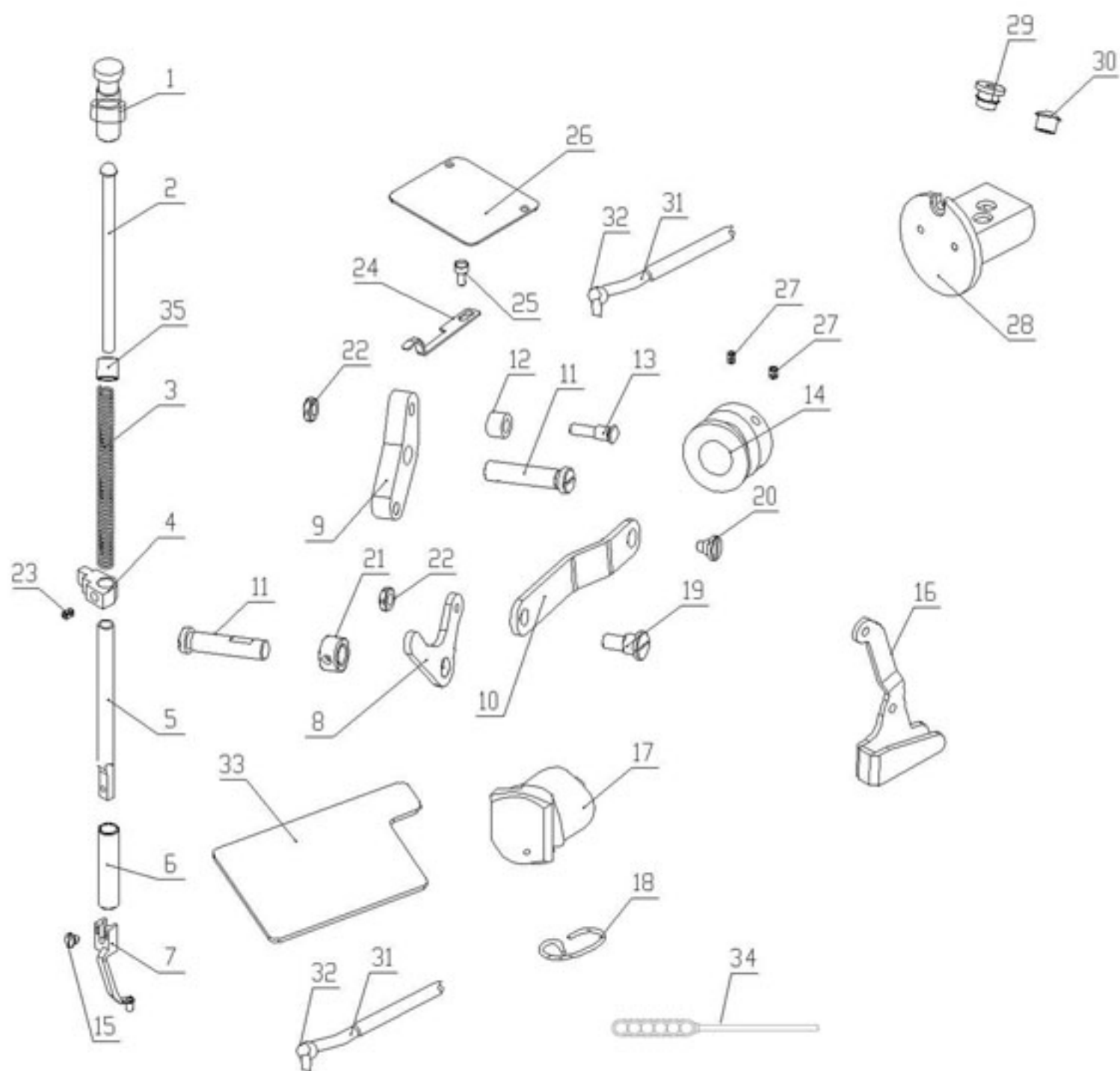
选购部件



特种机系列>LS1900系列>23选购部件

序号	品号CODE	名称	NAME	数量
1	PF1900H0815	送料板 H	FEED PLATE H	1
2	PF1900H0847	左右压脚 H	WORK CLAMP FOOT H	1
3	PF1900Y0814	送料板 Y	FEED PLATE Y	1
4	PF1900Y0847	左右压脚 Y	WORK CLAMP FOOT Y	1
5	PF1900F0414	送料板 F	FEED PLATE F	1
6	PF1900F0847	左右压脚 F	WORK CLAMP FOOT F	1
7	PF1900L0814	送料板 L	FEED PLATE L	1
8	PF1900L0844	左右压脚 L	WORK CLAMP FOOT L	1
9	PF1900BY0814	送料板 BY	FEED PLATE BY	1
10	PF1900BY083601	左右压脚 BY	WORK CLAMP FOOT BY	1
11	PF1900K081401	送料板 K	FEED PLATE K	1
12	PF1900K0844	左右压脚 K	WORK CLAMP FOOT K	1

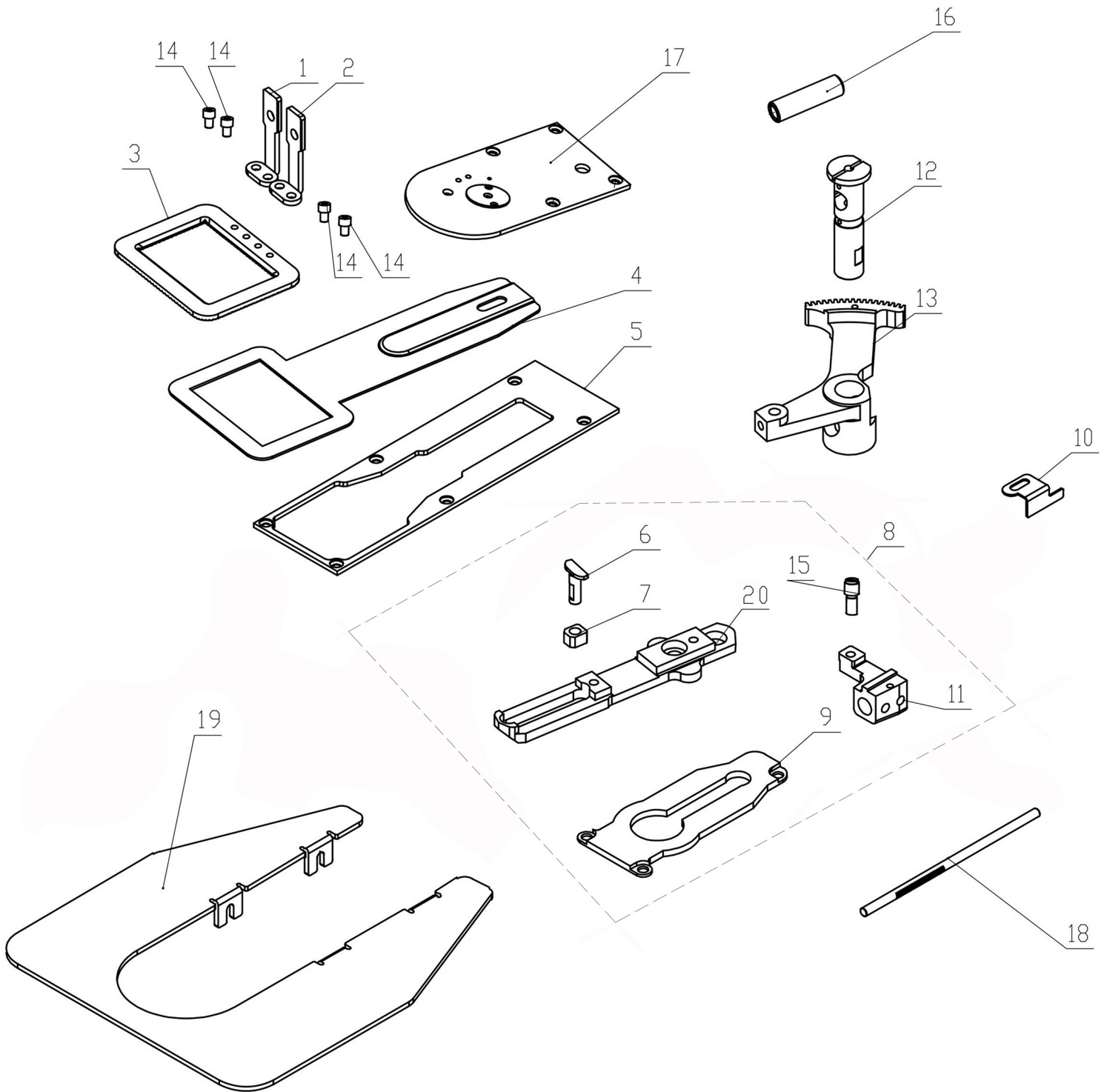
26零件 拾压装置/Work clamp lifter mechanism



特种机系列>LS1900系列> 26抬压装置

序号	品号CODE	名称	NAME	数量
1	PF1310D149	调压螺钉M14	Pressure Adjusting Screw M14	1
2	PF1310D152	弹簧导杆	Pressure Regulator	1
3	PF1310D151	弹簧	Pressure Spring	1
4	PF1904D2604	压脚提升块	Presser Foot Lifter Block	1
5	PF1310D156	压紧杆	Presser Foot Bar	1
6	PF1310D154	压紧杆套	Presser Foot Bar Cover	1
7	PF1904D2607	中压脚	Intermediate Presser Foot	1
8	PF1904D266601	提升板	Intermediate Presser Foot Rotating Plate	1
9	PF1904D266401	连杆摆动座	Stepping Clamp Conroad	1
10	PF1904D266501	抬压脚拉杆	Intermediate Presser Foot Start	1
11	PF1904D266801	摆动轴	Swing Lever	2
12	PF1904D266701	滚轮	Roller Steping Clamp	1
13	PF1904D265101	凸轮滚柱螺钉	Cam Roller Steping Clamp Screw	1
14	PF1904D261501	凸轮	Intermediate Presser Foot Cam	1
15	PF55500412	活压脚螺钉	Intermediate Presser Foot Screw	1
16	PF1904D2637	压脚启动板	Presser Foot Start Plate	1
17	PF1904D2652	夹线电磁铁	Tension Release Solenoid	1
18	PF1904D2661	过线勾	Arm Thread Guide	1
19	PF1900A0323	铰链螺钉D=7 H=4	Hince Screw D=7 H=4	1
20	PF1900A0321	铰链螺钉D=8 H=3.2	Hince Screw D=8 H=3.2	1
21	PF19000425	紧圈	Thrust Collar Screw	1
22	BF310164805	螺母	Nut	2
23	PF1310D125	螺钉M4X4	Screw M4X4	1
24	PF1900A0402	油管压板	Oil Pipe Holder	1
25	PF1310D239	螺钉M4X6	Screw M4X6	1
26	PF1904D2616	支撑板	Supporting Plate	1
27	PF1310B24	螺钉M6X6	Screw M6X6	2
28	PF1900A0465	游标	Oil Tank Asm	1
29	PF1900A0464	橡皮套	Rubber Bush	1
30	PF1900A0149	橡皮塞	Rubber Plug	1
31	PF1904D2631	油管	Tube	2
32	PF55500833	羊毛线	Oil Wick	2
33	PF9820J35	油毡	Gear Felt	1
34	PF1904D2634	5伏LED灯组件	LED LIGHT	1
35	PF1904D2676	中压脚压杆套圈	COLLAR PRESSER BAR SPRING	1

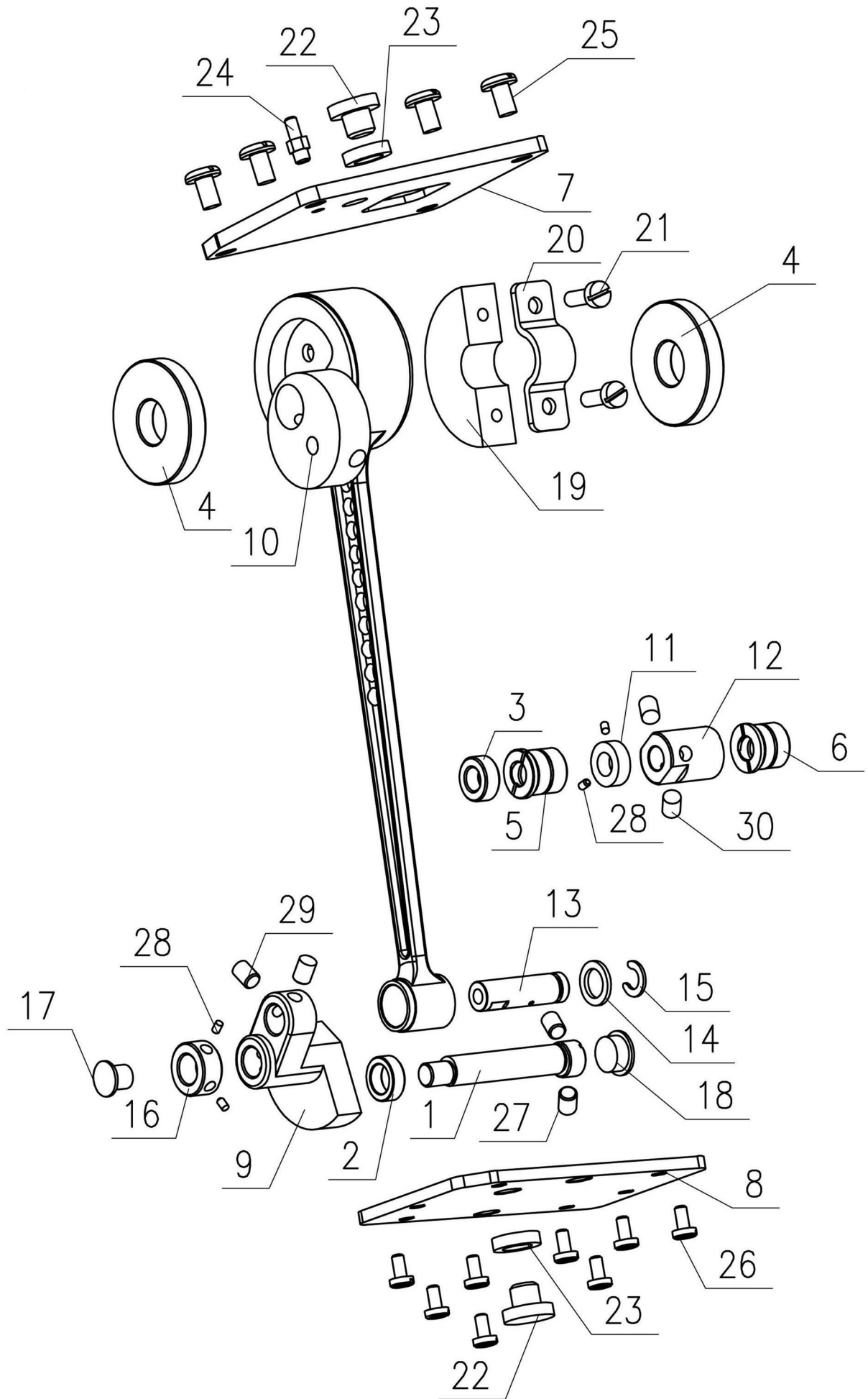
27部件 送料装置/Feed Mechanism Components



特种机系列>LS1900系列>27送料装置

序号	品号CODE	名称	NAME	数量
1	PF1904D2701	压脚柄	Foot Holder	1
2	PF1904D2702	压脚柄	Foot Holder	1
3	PF1904D2703	压脚框	Foot Frame	1
4	PF1904D2704	送料板	Feeding Plate	1
5	PF1904D2705	送料压板	Feeding Plate	1
6	PF1904D2706	滑块螺栓	Slide Bolt	1
7	PF1904D2707	滑块	Slider	1
8	PF1904D2708	拖布板组件	The Mop Plate	1
9	PF1904D2709	拖布支撑板	Mop Supporting Plate	1
10	PF1904D2710	Y向感应片	Y Sensor Chip	1
11	PF1904D2711	送料支臂	Feeding Arm	1
12	PF1900A0712	摆齿轴	Oscillating Tooth	1
13	PF1904D2713	摆齿	Oscilling Tooth	1
14	PF1900A0403	螺钉	Screw	4
15	PF1904D2715	曲柄螺钉	Crank Screw	2
16	PF1904D2725	压脚顶杆	Foot Cover	1
17	PF1904D2717	针板	Needle Plate	1
18	PF1904D2718	齿条	Gear Rack	1
19	PF1904D2719	缝台	Sewing Table	1
20	PF1904D2720	拖布板	The Mop Plate	1

29. CRANK ROD PART
全包部件

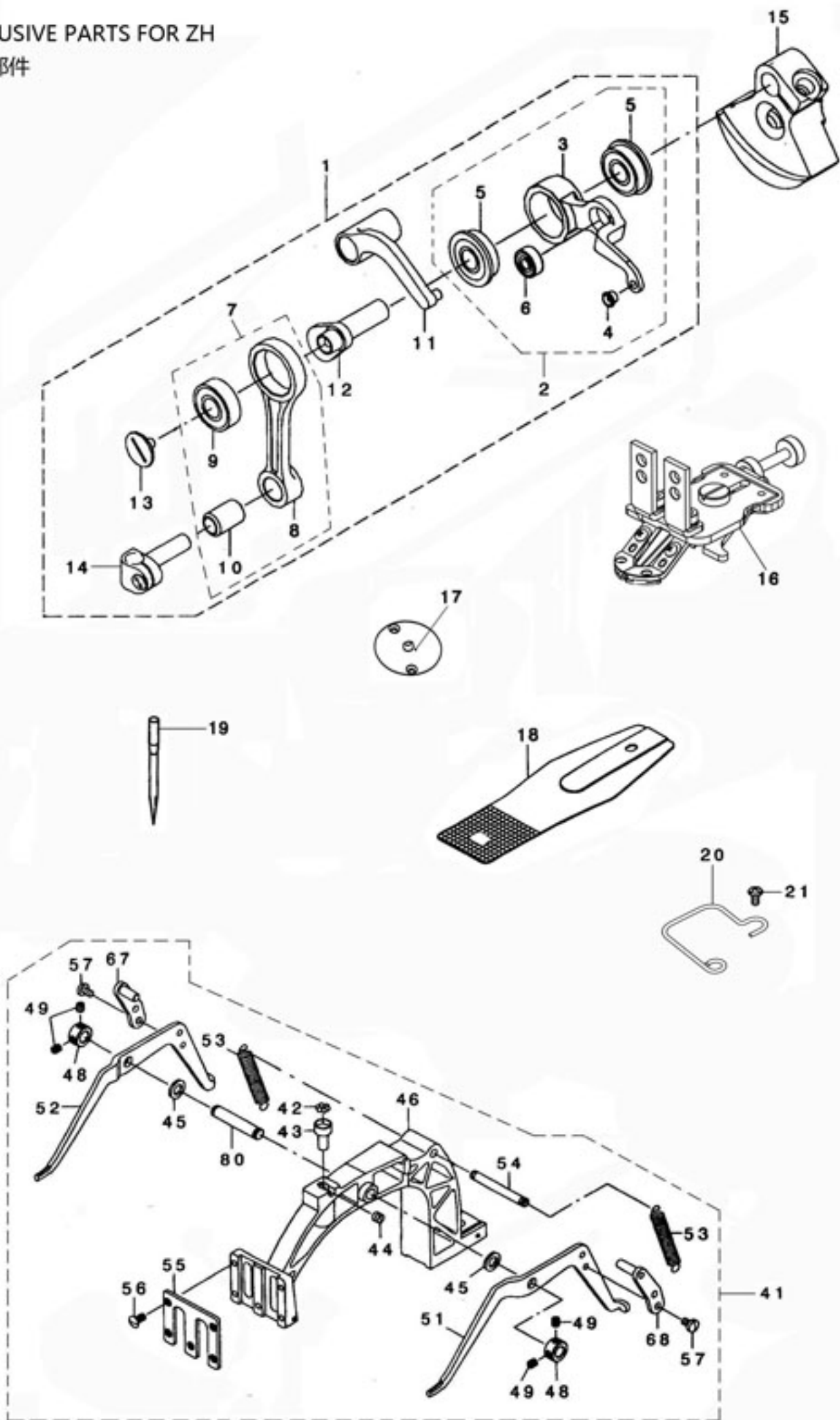


特种机系列>LS1900系列>29全包部件

序号	品号CODE	名称	NAME	数量
1	PF1900D2901	偏心轴	ECCENTRIC SHAFT	1
2	PF1900A2902	垫圈	GASKET	1
3	PF1900A2903	下轴油封	LOWER SHAFT OIL SEAL	1
4	PF1900A2904	上轴油封	UPPER SHAFT OIL SEAL	2
5	PF1900D041010	下轴前套	LOWER SHAFT FRONT COVER	1
6	PF1900D041011	下轴后套	LOWER SHAFT REAR COVER	1
7	PF1900A2907	上盖板	UPPER COVER PLATE	1
8	PF1900A2908	下盖板	BOTTOM COVER PLATE	1
9	PF1900A0216	摆齿	SWING GEAR	1
10	PF1900A2910	连杆组件	CONNECTING ROD ASSEMBLY	1
11	PF19000425	下轴挡圈	LOWER SHAFT BEAD FLANGE	1
12	PF1900A041003	摆动齿轮	WOBBLE GEAR	1
13	PF1900A0286	曲柄连杆销	CRANK CONNECTING ROD PIN	1
14	PF1900A0217	垫片	GASKET	1
15	PF1900A0219	卡簧	CIRCLIP	1
16	PF19000426	挡圈	BEAD FLANGE	1
17	PF1900A0149	孔塞	HOLE PLUG	1
18	PF1900A0151	孔塞	HOLE PLUG	1
19	PF1900A2909	平衡块	BALANCE BLOCK	1
20	PF1900A0253	偏心盖板	ECCENTRIC COVER PLATE	1
21	PF1900A0254	螺钉	SCREW	2
22	BF15000119	油盘螺钉	LACQUER TRAY SCREW	2
23	BF800202287A	油封	OIL SEAL	2
24	PF2284020204	油嘴	OIL NOZZLE	1
25	PF1900A0104	螺钉 M6	SCREW M6	4
26	PF1900A0102	螺钉 M4	SCREW M4	8
27	PF1900A0204	螺钉 M6	SCREW M6	2
28	PF19000428	螺钉	SCREW	4
29	PF1900A0218	螺钉 M6X0.75	SCREW M6X0.75	2
30	PF1900A0704	螺钉	SCREW	2

30.EXCLUSIVE PARTS FOR ZH

转换部件



特种机系列>LS1900系列>30转换部件

序号	品号CODE	名称	NAME	数量
1	PF1903A2001	挑线组件	THREAD TAKE UP B COMPL	1
2	PF1900A2002	挑线杆组件	THREAD TAKE UP LEVER B ASM	(1)
3	PF1900A2003	挑线杆	THREAD TAKE UP LEVER B	(1)
4	PF1900A2004	过线衬套	THREAD PASS BUSH	(1)
5	PF1900A2005	轴承	BEARING	(2)
6	PF1900A2006	轴承	BEARING	(1)
7	PF1900A2007	针杆连杆组件	NEEDLE BAR CRANK ROD ASM	(1)
8	PF1900A2008	针杆连杆	NEEDLE BAR CRANK ROD	(1)
9	PF1900A2009	轴承	BEARING	(1)
10	PF1900A2010	针杆连杆衬套	NEEDLE BAR CRANK ROD BUSH	(1)
11	PF1900A2011	挑线连杆	THREAD TAKE UP CRANK	(1)
12	PF1900A2012	针杆曲柄B	NEEDLE ROD CRANK B	(1)
13	PF1900A2013	螺钉	LEFT SCREW	(1)
14	PF1900A0270	针杆接头	NEEDLE BAR CLAMP	1
15	PF1903A2054	针杆曲柄 B	COUNTER WEIGHT B	1
16	PF1900A3016	新款转换扣夹	NEW TAPY BUTTON CLAMP ASSY	1
17	PF1903A202801	导向板(2.0)	GUIDE	1
18	PF19000814X	送料板	FEED PLATE	1
19	PFDTDP1714	机针 DOX17 #14	NEEDLE DOX17 #14	1
20	PF1900A075801	护指器	FINGER GUARD	1
21	PF8420M-D3010112	螺钉	SCREW	1
41	PF1900A074101	压脚架组件	FEED BRACKET	1
42	SCJ6070	滚珠	WORK CLAMP FOOT MOUNTING BASE	7
43	PF1900A0743	滚珠座	BALL RETAINER	1
44	PF7811004	螺钉 15/64-28 L=4.7	SCREW 15/64-28 L=4.7	1
45	PF1900A0745	驱动臂垫圈	WASHER FOR DRIVING ARM	2
46	PF1900A0746	送布架	FEED BRACKET	1
48	PF1900A0748	挡圈	THRUST COLLAR	2
49	PF1900A0749	螺钉 M5 L=5	SCREW M5 L=5	4
51	PF1900A0751	抬压脚右臂	LIFTING LEVER RIGHT	1
52	PF1900A0752	抬压脚左臂	LIFTING LEVER LEFT	1
53	PF1900A0753	弹簧	CLOTH PRESSER SPRING	2
54	PF1900A0754	拉簧销	SPRING SUSPENSION	1
55	PF1900A0755	压脚盖板	WORK CLAMP FOOT FACE PLATE	1
56	PF1900A0756	螺钉 11/64-40 L=8.7	SCREW 11/64-40 L=8.7	5
57	PF1900A0757	螺钉 11/64-40 L=7	SCREW 11/64-40 L=7	4
67	PF1900A0767	驱动板组件 L	LEVER DRIVING PLATE L ASM	1
68	PF1900A0768	驱动板组件 R	LEVER DRIVING PLATE R ASM	1